



# Product Selector Guide

Issue 9 - FEB - 2017



Portable Refrigeration

Indel B

Indel Webasto Marine

Fluorescent Lighting

LED Lighting

Fluorescent Light Spares

Battery Management Systems

Battery Management Accessories



# About National Luna - 30 Years

National Luna was originally established in the late 1980's as a manufacturer of 12-volt fluorescent lighting. By the early 1990's National Luna became active in the solar market where rapid expansion was being made in the areas of low-cost housing and remote medical facilities. One of the greatest demands at the time was that of medical vaccine refrigeration which had to meet the strict World Health Organisation's (WHO) standards.



National Luna was able to develop a locally assembled refrigeration unit which met the specifications of the WHO. This refrigerator became popular with the 4x4 and recreational markets.

During 1998 it was decided to develop a full range of specialised 4x4 refrigerator / freezer units, and expand the well-established lighting range. Over the years, Portable Refrigeration and Lighting ranges evolved into highly efficient, compact products, which were more suited for the off-road and caravan industry.

To compliment the existing products, National Luna developed a range of battery management devices which could be used to control the charging of auxiliary batteries in off-road vehicles, caravans, trailers and boats.

## Our Products

National Luna manufactures a wide range of specialist 12-volt products aimed at the 4x4 and caravan industry.

Our products are developed and manufactured in South Africa with strict quality and performance requirements ensuring that our customers have piece-of-mind when travelling to remote environments.

In addition to our range of refrigeration, lighting and battery management products, a wide selection of accessories ideal for customising your installation are available.

As the demand increased for National Luna products, they became more popular and recognised for their quality, the requirements for highly specialised equipment and improved production techniques grew.

In addition to the high attention to build quality, every National Luna product is extensively tested before leaving the factory, ensuring defect-free, reliable operation in the harshest of conditions.








## Our Customers

National Luna currently has a local distribution network of over 350 independent retail outlets and service centres as well as supplying to manufacturers of caravans, emergency vehicles, mobile homes, touring buses and off-road trailers.

In addition to our local supply network, National Luna has expanded into international territories including Europe, UK, Australia and North America.



# Index

 Portable Refrigeration	4
Fridge Basket Selection Guide	8
Portable Refrigeration Accessories	14
 Portable Refrigeration	17
Accessories	17
 12Volt Fluorescent Lighting	19
220Volt Fluorescent Lighting	23
24Volt Fluorescent Lighting	24
Fluorescent Lighting Spares	25
Fluorescent Tube Spares	27
 LED 12Volt Tube Lighting	28
LED 12Volt Compact Lighting	30
 Display Stands	19/35
 Battery Management Systems	36
Battery Testing & Charging Equipment	36
Battery Split Charging Equipment	37
Battery Management Accessories	39
 Indel Webasto Marine	44

Some products are available without packaging as BULK  
(a minimum order quantity applies)



# Portable Refrigeration

## Legendary Classic Range

Developed for performance at high ambient temperatures, minimum power consumption and overall operating efficiency, these fridges are recognised as the most powerful in the world.

The National Luna Classic range starts with a 40-litre unit that's ideal as a short-haul refrigerator or dedicated freezer, and extends to a massive 125-litre unit developed for commercial catering, major expeditions and tour operators. Low power consumption is achieved using 60mm high-density insulation and a very compact design.

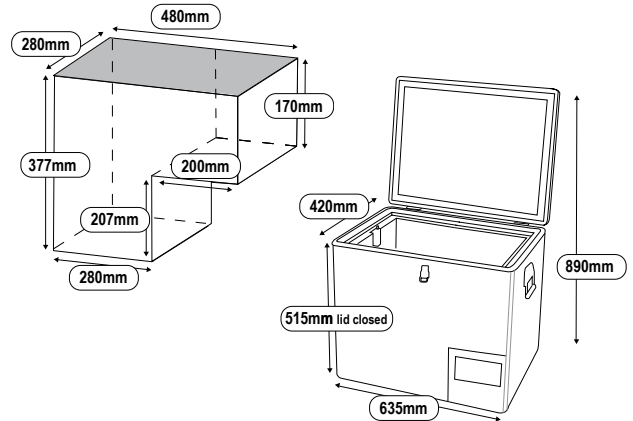
### NL 40 Refrigerator / Freezer

- Thermostat range 20°C to -30°C
- 9.6~31Vdc & 100~240Vac
- 3 x Basket - (optional)
- 39.3 L
- 635 x 420 x 515mm (Closed)
- 635 x 420 x 890mm (Open)
- Weight - 25.7 kg

Order Stock Code:

**FRI-10400 S/Steel**  
3 x baskets supplied

**FRI-10401 S/Steel**  
no baskets supplied



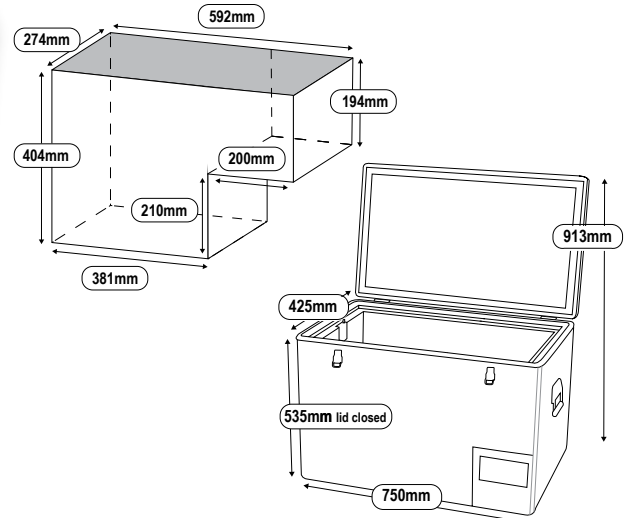
### NL 55 Refrigerator / Freezer

- Thermostat range 20°C to -30°C
- 9.6~31Vdc & 100~240Vac
- 3 x Baskets - (optional)
- 53.5 litre capacity
- 750 x 425 x 535mm (Closed)
- 750 x 425 x 913mm (Open)
- Weight - 26.6 kg

Order Stock Code:

**FRI-10550 S/Steel**  
3 x baskets supplied

**FRI-10551 S/Steel**  
no baskets supplied



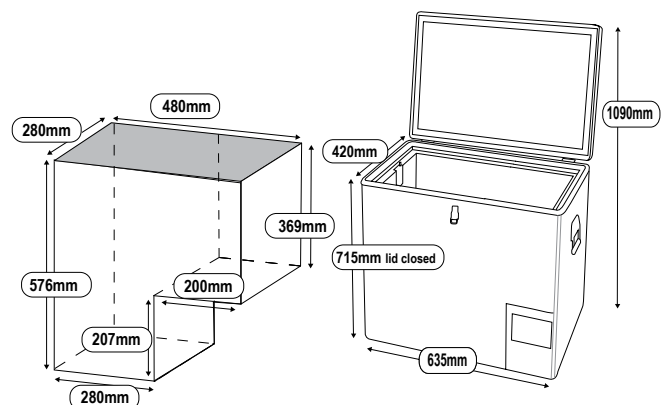
### NL 65 Refrigerator / Freezer

- Thermostat range 20°C to -30°C
- 9.6~31Vdc & 100~240Vac
- 5 x Basket - (optional)
- 66.0 litre capacity
- 635 x 420 x 715mm (Closed)
- 635 x 420 x 1090mm (Open)
- Weight - 28.2 kg

Order Stock Code:

**FRI-10650 S/Steel**  
5 x baskets supplied

**FRI-10651 S/Steel**  
no baskets supplied





# Portable Refrigeration

## Legendary Classic Range

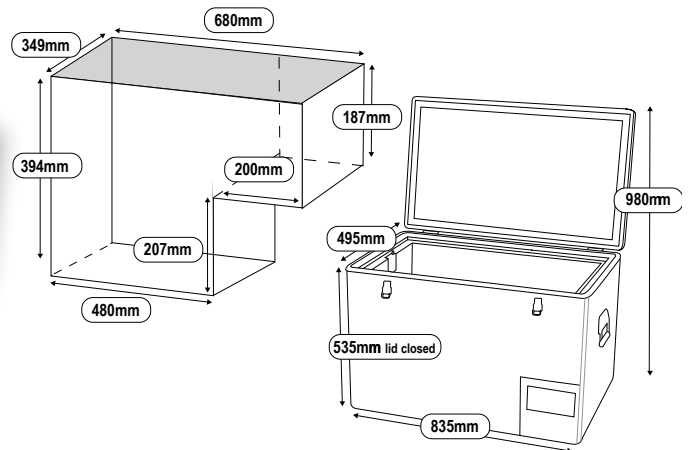
### NL 80 Refrigerator / Freezer

- Thermostat range 20°C to -30°C
- 9.6~31Vdc & 100~240Vac
- 5 x Basket - (optional)
- 79.4 L
- 835 x 495 x 535mm (Closed)
- 835 x 495 x 982mm (Open)
- Weight 36.2 kg

Order Stock Code:

**FRI-10800 (S321)**  
5 x baskets supplied

**FRI-10801 S/Steel**  
no baskets supplied



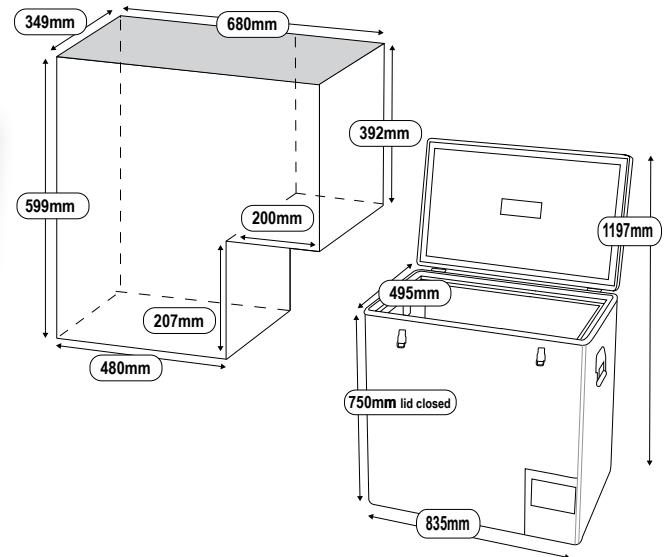
### NL 125 Stainless Steel Refrigerator / Freezer

- Thermostat range 20°C to -30°C
- 9.6~31Vdc & 100~240Vac
- 8 x Baskets - (optional)
- 128 L
- 835 x 495 x 735mm (Closed)
- 835 x 495 x 1197mm (Open)
- Weight 47.7 kg

Order Stock Code:

**FRI-11250 (S328) S/Steel**  
8 x baskets supplied

**FRI-11251 S/Steel**  
no baskets supplied



## Space Saver Weekender Range

By reducing the insulation to 42mm thickness, National Luna offers a lightweight fridge/freezer to meet the demand for maximum fridge capacity where space is a problem.

(Power consumption of these fridges would be higher than the Classic 60mm insulation range).

Only the Weekender has a universal lid. If opening the fridge from the front is not practical for you, simply change the lid hinges and allow a side opening configuration.

For the recreational user, the new Weekender range gives you premium National Luna quality and features found in a compact package. The Weekender Twin was developed to offer an affordable fridge with a separate freezer compartment.

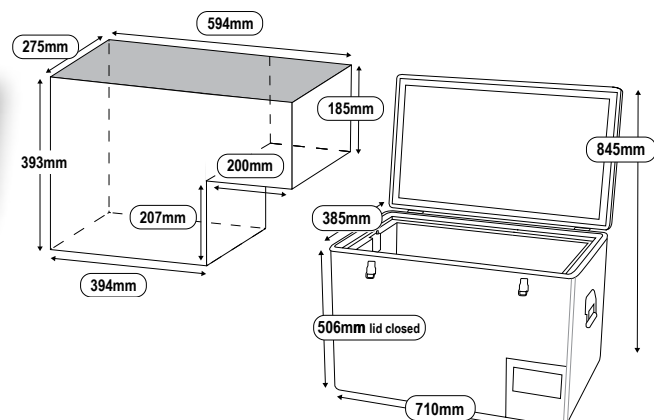
### NL 52 Weekender Refrigerator / Freezer

- Thermostat range 20°C to -30°C
- 52 L
- 9.6~31Vdc & 100~240Vac
- 3 x baskets - (optional)
- 710 x 385 x 506mm (Closed)
- 710 x 385 x 845mm (Open)
- Weight - 24.4 kg

Order Stock Code

**FRI-10520 (S286) S/Steel**  
3 x baskets supplied

**FRI-10521 S/Steel**  
no baskets supplied





# Portable Refrigeration

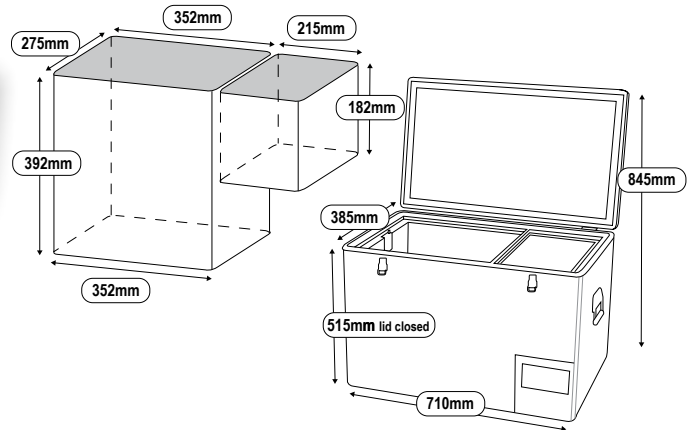
## NL 50 Twin Weekender Refrigerator & Freezer

- Thermostat range 20°C to -12°C
- 38.3L (fridge) & 11.0L (freezer)
- 9.6~31Vdc & 100~240Vac
- 3 x baskets (Optional)
- 710 x 385 x 506mm (Closed)
- 710 x 385 x 845mm (Open)
- Weight - 24.0 kg

Order Stock Code:

**FRI-10500 (S287) S/Steel**  
3 x baskets supplied

**FRI-10521 S/Steel**  
no baskets supplied



## Dual Control Technology - Effectively 2 x Fridges in One!

### NL60

Using a combination of 60mm and 42mm insulation, as well as the Dual Control Technology as used in the Double Door, a compact freezer/fridge has been developed.

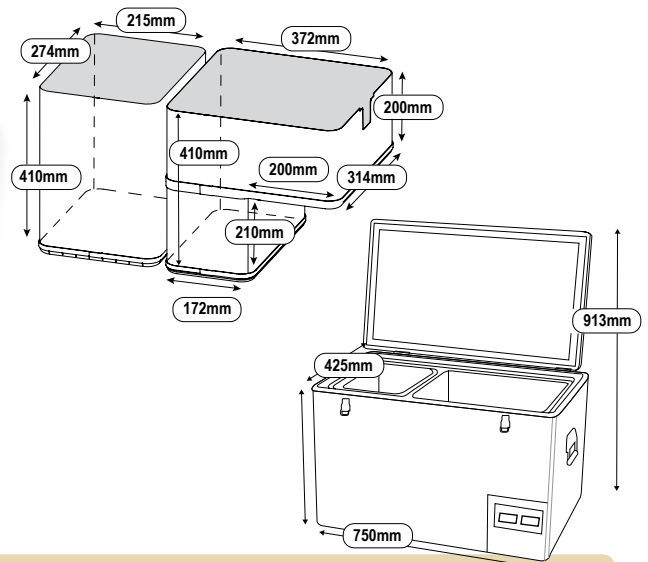
## NL 60 Twin Refrigerator / Freezer

- 24.2L (left bin) + 34.9L (right bin)
- 9.6~31Vdc & 100~240Vac
- 5 x baskets (Optional)
- 750 x 425 x 535mm (Closed)
- 750 x 425 x 913mm (Open)
- Weight - 28.2 kg

Order Stock Code:

**FRI-10600 S/Steel**  
5 x baskets supplied

**FRI-10601 S/Steel**  
no baskets supplied



### NL90

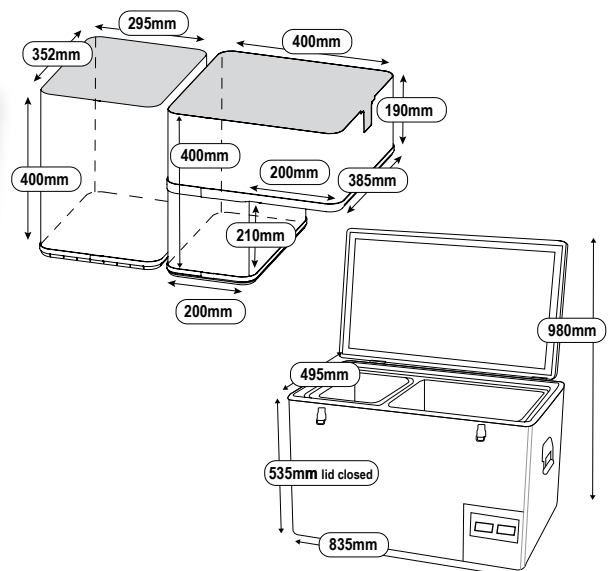
## NL 90 Twin Refrigerator / Freezer

- 39.1L (left bin) + 46.2L (right bin)
- 9.6~31Vdc & 100~240Vac
- 5 x baskets (Optional)
- 835 x 495 x 535mm (Closed)
- 835 x 495 x 980mm (Open)
- Weight - 34.0 kg

Order Stock Code:

**FRI-10900 (S291)**  
5 x baskets supplied as standard

**FRI-10901 S/Steel**  
no baskets supplied





# Portable Refrigeration

## Dual Control Technology - Effectively 2 x Fridges in One!

Using the National Luna unique Dual Control technology, the double door range of fridges (60mm insulation) was developed. Using only one compressor, the user can set the bin temperatures independently.

For the ultimate in versatility, National Luna offers its unique Dual Control units with two separate individually controlled fridge-freezer compartments, giving you the options of freezer/freezer, fridge/fridge or freezer/fridge - it's your choice!

**(Note that the combination of left hand fridge and right hand freezer bin cannot be used).**

Thus, the right bin should be set to a warmer temperature than the left bin.

- The right hand thermostat setting ranges from +20°C to -12°C
- The left hand thermostat setting ranges from +20°C to -24°C

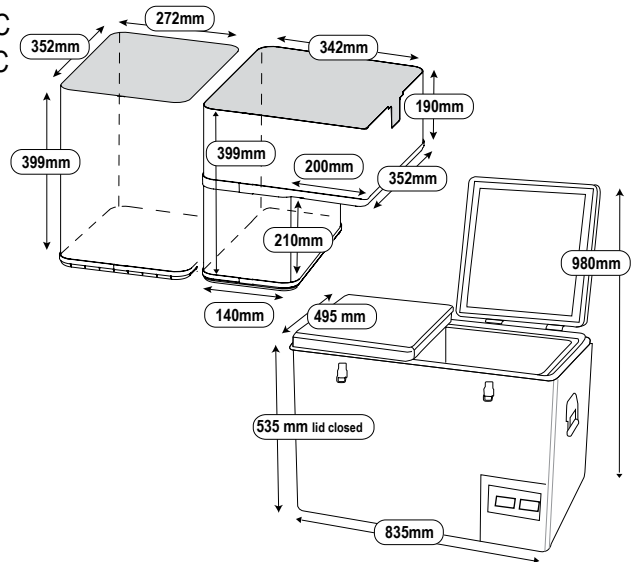
### NL 72 Double-Door Refrigerator / Freezer

- 38.2L (left bin) & 33.1L (right bin)
- 9.6~31Vdc & 100~240Vac
- 5 x baskets - (optional)
- 835 x 495 x 535mm (Closed)
- 835 x 495 x 980mm (Open)
- Weight - 34.6 kg

Order Stock Code:

**FRI-10720 S/Steel**  
5 x baskets supplied

**FRI-10721 S/Steel**  
no baskets supplied



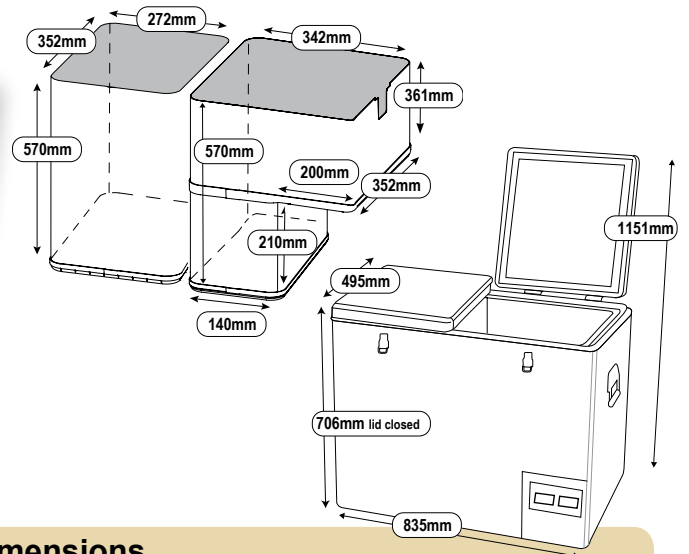
### NL 110 Double Door

- 54.6L (left bin) + 53.5L (right bin)
- 9.6~31Vdc & 100~240Vac
- 8 x baskets - (optional)
- 835 x 495 x 706mm (Closed)
- 835 x 495 x 1151mm (Open)
- Weight - 41.9 kg

Order Stock Code:

**FRI-11100 S/Steel**  
8 x baskets supplied

**FRI-11101 S/Steel**  
no baskets supplied



## External Dimensions



Fridge dimensions are with lid closed, and include handles, hinges and catches. For more detail on inside and other dimensions, consult the Portable Refrigeration brochure or our website.



From December 2015 a more sturdy and functional carry handle was introduced into production. A hold down strap is fitted in the slot provided as indicated below. (The previous handle could bend under severe off-road conditions).

PROTECTION JACKET - (see pg 14)

A larger aperture is required on the protection jacket to accommodate the new carry handle.

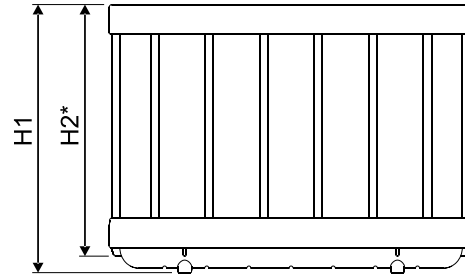
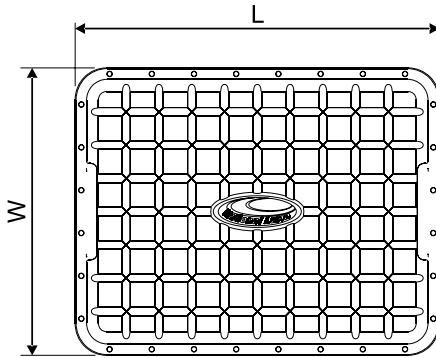
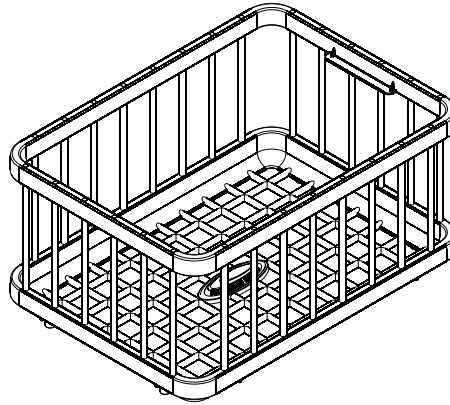
New jackets produced from January 2016 have a larger aperture to suit both models.

The mounting holes of both carry handles are identical. By swapping carry handles, the older protection jackets can be made to fit fridges manufactured after December 2015



# Portable Refrigeration Accessories

## Fridge Basket Selection Guide



\* Dimension H2 is the basket stacking height

Code	Name	L (mm)	W (mm)	H1 (mm)	H2 (mm)	Weight KG
FCO-02010	Basket A Top	345	268	182	171	0.480
FCO-02011	Basket A Bottom	345	268	220	209	0.520
FCO-02020	Basket B Top	343	202	182	171	0.410
FCO-02021	Basket B Bottom	343	202	220	209	0.440
FCO-02030	Basket C Top	268	209	182	171	0.345
FCO-02031	Basket C Bottom	268	209	220	209	0.370
FCO-02032	Basket C Freezer	268	209	177	166	0.355
FCO-02033	Basket C 55 Top	268	209	195	184	0.355
FCO-02034	Basket C 60 Top	268	209	202	191	0.355
FCO-02040	Basket D Top	377	196	182	171	0.435
FCO-02041	Basket D Bottom	377	196	220	209	0.470
FCO-02050	Basket E Top	374	269	182	171	0.495
FCO-02051	Basket E Bottom	374	269	220	209	0.535
FCO-02053	Basket E 55 Top	374	269	195	184	0.510
FCO-02060	Basket F Top	343	136	182	171	0.340
FCO-02061	Basket F Bottom	343	136	220	209	0.370
FCO-02071	Basket G Bottom	308	165	220	209	0.380
FCO-02074	Basket G 60 Top	308	165	202	191	0.380
FCO-02084	Basket H 60 Top	308	200	202	191	0.390
PLI-30010	Basket Handle					0.030





# Portable Refrigeration Accessories

## Fridge Basket Selection Guide

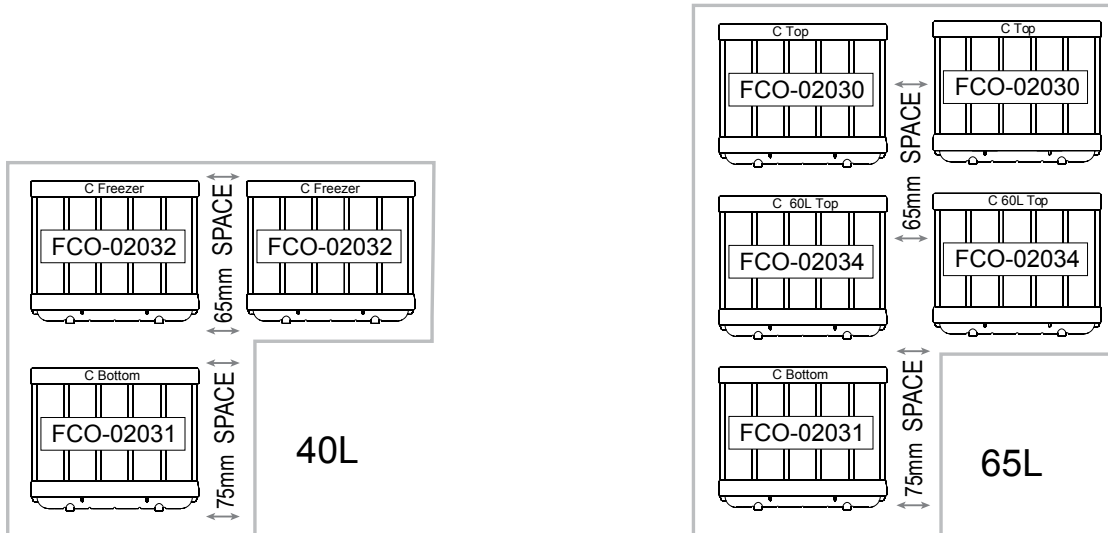
		40	65	50	52	55	60	72	80	90	110	125
FCO-02010	Basket A Top			1				1	1	1	2	1
FCO-02011	Basket A Bottom			1				1	1	1	1	2
FCO-02020	Basket B Top							1	2		2	2
FCO-02021	Basket B Bottom								1			3
FCO-02030	Basket C Top		2		1							
FCO-02031	Basket C Bottom	1	1				1					
FCO-02032	Basket C Freezer	2		1								
FCO-02033	Basket C 55 Top					1						
FCO-02034	Basket C 60 Top		2				1					
FCO-02040	Basket D Top									2		
FCO-02041	Basket D Bottom									1		
FCO-02050	Basket E Top				1							
FCO-02051	Basket E Bottom				1	1						
FCO-02053	Basket E 55 Top					1						
FCO-02060	Basket F Top							1			2	
FCO-02061	Basket F Bottom							1			1	
FCO-02071	Basket G Bottom						1					
FCO-02074	Basket G 60 Top						1					
FCO-02084	Basket H 60Top						1					
PLI-30010	Basket Handles	4	4									
<b>Total Baskets (set)</b>		<b>3</b>	<b>5</b>	<b>3</b>	<b>3</b>	<b>3</b>	<b>5</b>	<b>5</b>	<b>5</b>	<b>5</b>	<b>8</b>	<b>8</b>



# Portable Refrigeration Accessories

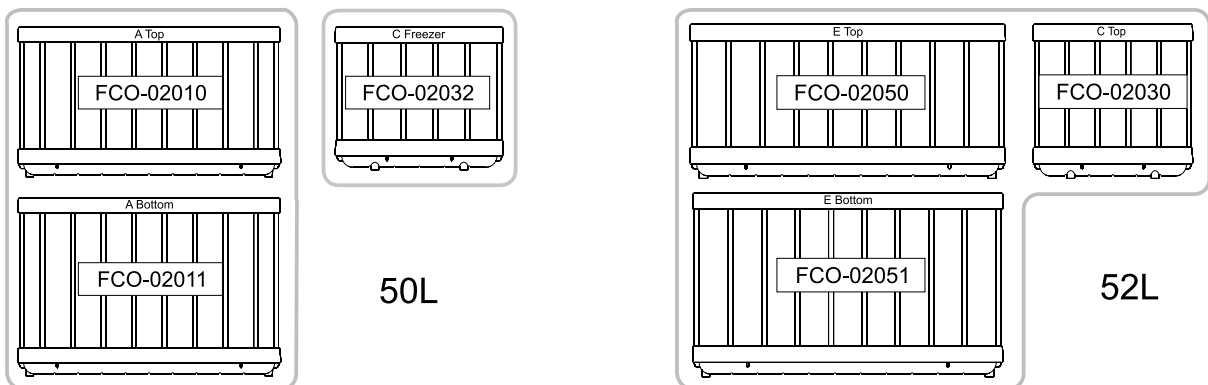
## Fridge Basket Selection Guide

### Classic Single Bin



Stainless Steel baskets for these models are no longer available. The plastic baskets used have a space as indicated.

### Weekender

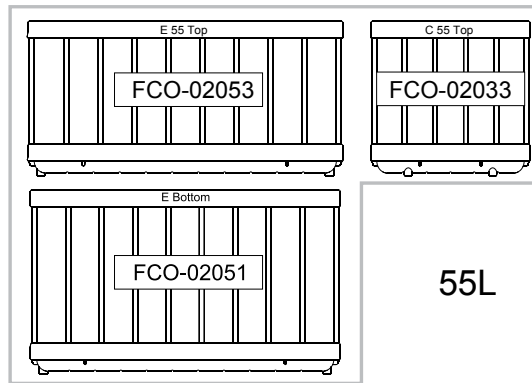




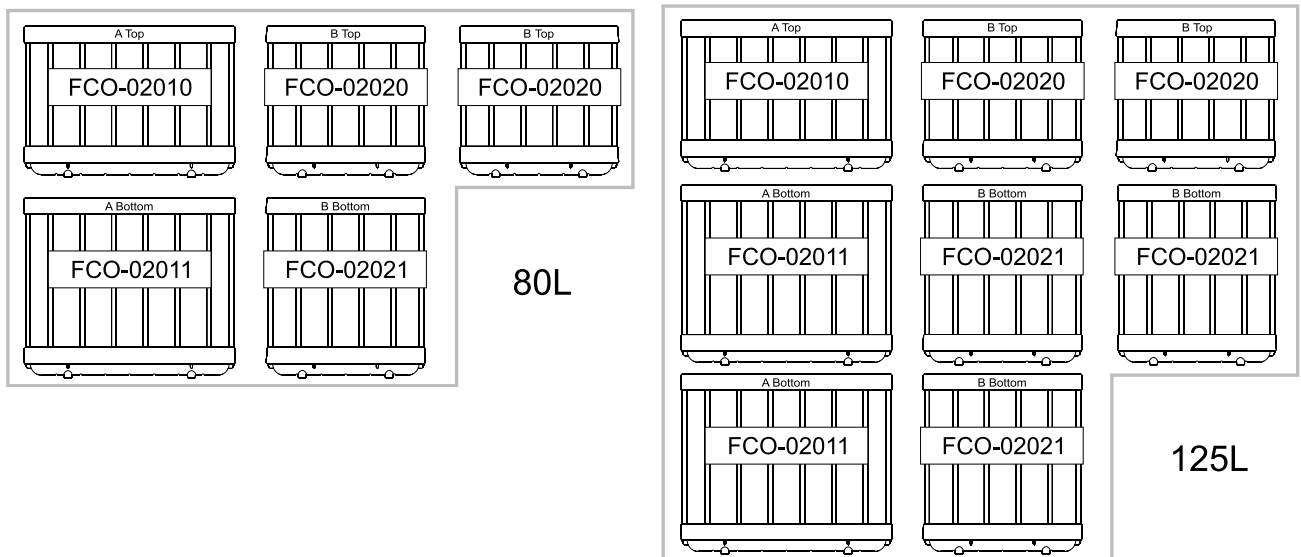
# Portable Refrigeration Accessories

## Fridge Basket Selection Guide

### Classic Single Bin



### Classic Single Bin

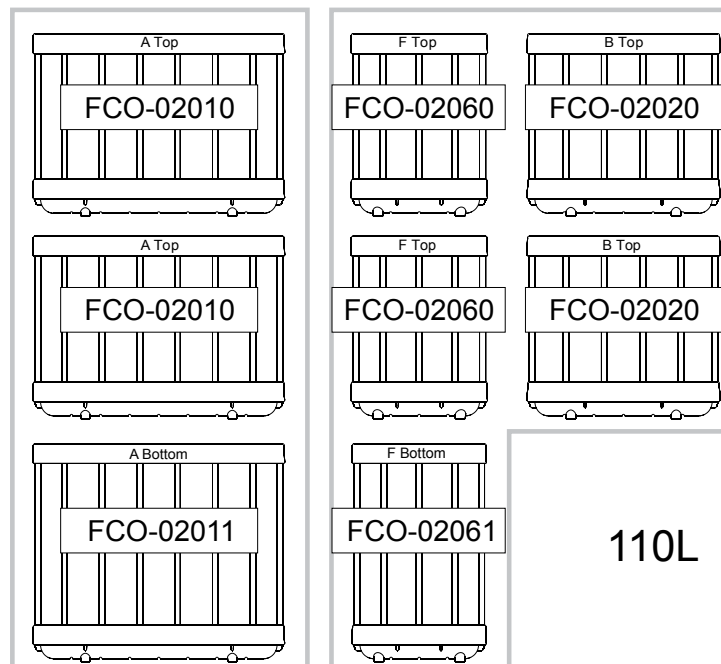
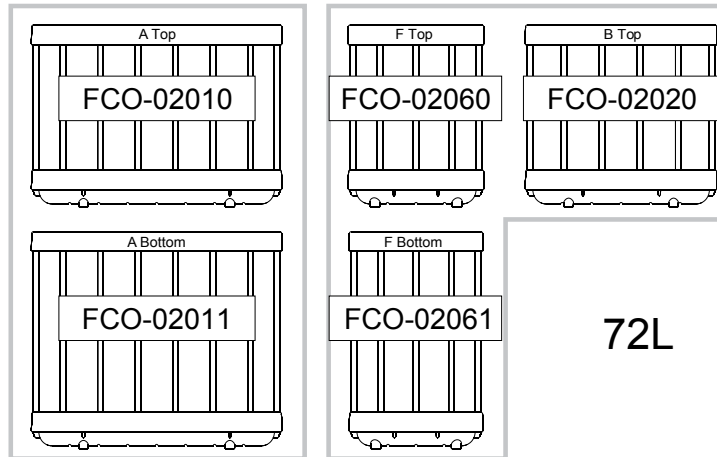




# Portable Refrigeration Accessories

## Fridge Basket Selection Guide

### Double Door - Dual Control

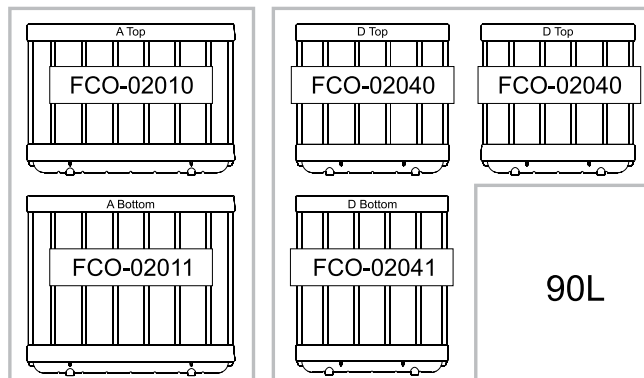
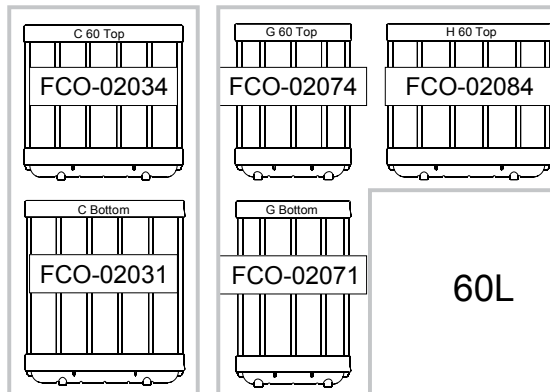




# Portable Refrigeration Accessories

## Fridge Basket Selection Guide

### Twin Bin - Dual Control





# Portable Refrigeration Accessories

## Fridge Protection Jackets

Constructed from durable Nylon material, the fridge jacket offers physical protection from wear and tear. It acts as a barrier against sunlight rays from reaching and heating the surface area of the fridge.

The ventilated compressor area must be kept uncluttered to allow air flow.

The protection jacket has a side pocket which is ideal for storing the power leads. The high-strength Nylon zip allows for easy access.



### Classic Range - Blue

Order Stock Code:

FSP-00004	(S315)	NL40
FSP-00003	(S312)	NL50/52
FSP-00010		NL55/60
FSP-00005	(S300)	NL65
FSP-00006	(S316)	NL72/74/80/90
FSP-00007	(S311)	NL95
FSP-00009		NL110
FSP-00008	(S301)	NL125



Weekender Range - Black



New handles with Tie-Down in position. (see pg 5)

## Power Cables

### 12Vdc Input Cable

• 4mm<sup>2</sup> multi strand special ripcord with moulded fridge mating plug



2m



2m + Combi Plug



2m + 50amp Coupler



2m + Hella



4m



4m + Combi Plug



4m + 50amp Coupler



Combi Plug



50amp Coupler

Order Stock Code:

BSP-10204	(S268)	2m no connectors
BSP-10213		2m + Combi Plug
BSP-10215		2m + 50amp Grey Coupler
BSP-10203	(S271)	2m with Hella male
BSP-10205	(S270)	4m no connectors
BSP-10214		4m + Combi Plug
BSP-10216		4m + 50amp Grey Coupler

### 3 Meter AC Power Leads



SA



UK



AUS



USA



EUR

Order Stock Code:

BSP-10202	(S267)	3m	SA	standard
BSP-10208		3m	AUS	standard
BSP-10209		3m	EURO	standard
BSP-10210		3m	UK	standard
BSP-10211		3m	USA	standard

### Removable Red Hinges

National Luna offers optional special Red Hinges designed to allow the lid to be completely removed in those difficult to access areas.

See page 15 for more information.

Order Stock Code:

FSP-03001 Bulk

BSP-03001 (S263) Packaged x 2 Pairs





# Portable Refrigeration Accessories

## Door Options

### Dual-direction Lid

A special feature of the Weekender is the ability to change the direction in which the lid opens.

The most common configuration is the front-opening direction (As shown on the right).

If the application prevents the lid from opening fully, it may be advantageous to use the side-opening configuration.

The Weekender is supplied in the front-opening configuration.

In order to change the lid direction, follow these steps :

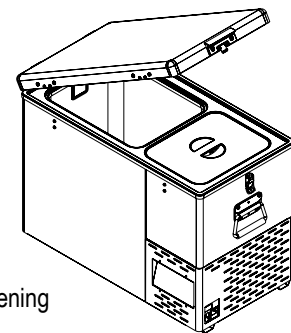
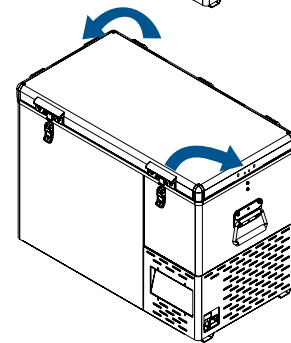
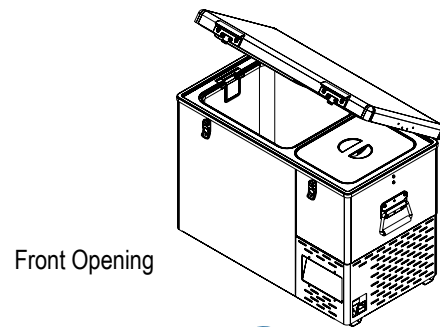
1. Close the lid. Remove both front latches and lid handles.
2. Re-fit one of the latches and lid handles to the alternative latch positions on the side of the refrigerator. (Keep the spare parts safe)
3. Remove all three hinges from the rear of the refrigerator. Also remove the hinge cover plates from the alternative hinge locations.
4. Re-fit two of the hinges on the side of the refrigerator.
5. Align the lid and ensure that it closes fully before tightening the screws.
6. Keep the spare hinge and screws in a safe place.

The Weekender will now be in the side-opening configuration.

**NOTE:**

Take care not to apply excessive pressure when locating the screws to the inside retaining nuts.

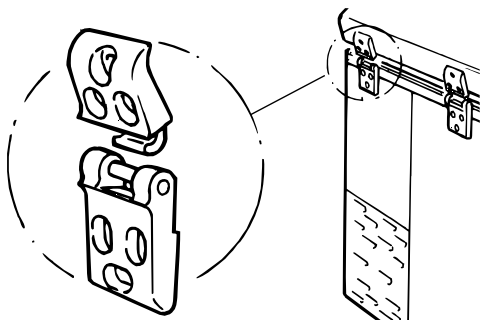
(They can be pushed too far back or incorrectly angled).



## Removable Red Hinges

National Luna offers optional special Red Hinges designed to allow the lid to be completely removed.

This feature is useful in confined spaces where the lid cannot be fully opened.

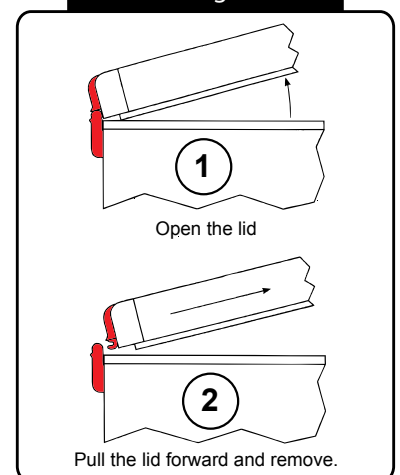


Order Stock Code:

**FSP-03001 Bulk**

**BSP-03001 (S263) Packaged x 2 Units**

### Removing the lid



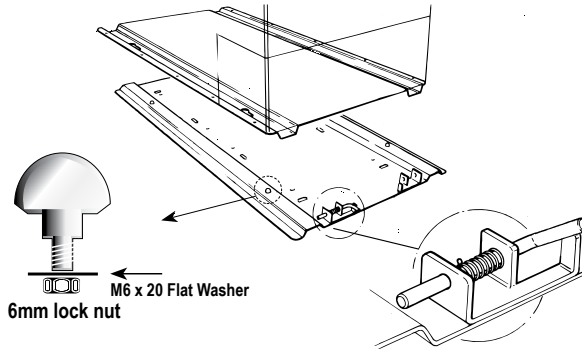


# Portable Refrigeration Accessories

## Base Mounting Plates

Constructed from 3CR12 Stainless steel, low-profile design and locking pin, this base offers a fixed mounting position with an easy to remove mechanism. The optional Base mounting plate allows the refrigerator to be securely fastened to the floor or body of the vehicle.

The unique locking design ensures that the fridge remains fixed in position even in the worst off-road conditions.



Order Stock Code:

**MET-00001 L-Pin and spring for Base Plate**

### NL 40 Base Mounting Plate

- Suits NL 40 / 65
- 615 x 400 x 20mm
- 4.05 kg

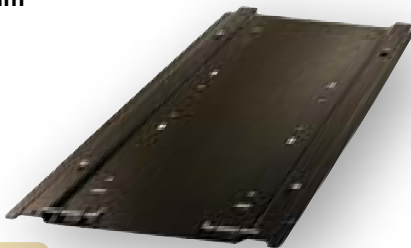


Order Stock Code:

**FSP-01003 (S347)**

### NL 50/52 Base Mounting Plate Weekender

- 690 x 355 x 20mm
- 4.15 kg

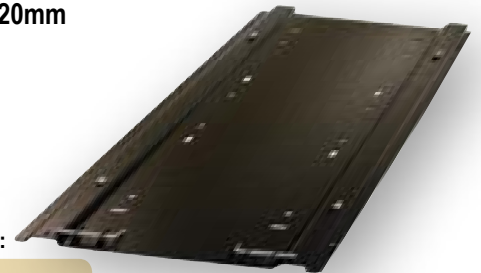


Order Stock Code:

**FSP-01001 (S331)**

### NL 55/60 Base Mounting Plate

- 728 x 395 x 20mm
- 5.00 kg



Order Stock Code:

**FSP-01006**

### NL 72/74/80/90/95/110/125 Base Mounting Plate

- Suits NL 72/74/80/90/95/110/125
- 815 x 465 x 20mm
- 6.20 kg

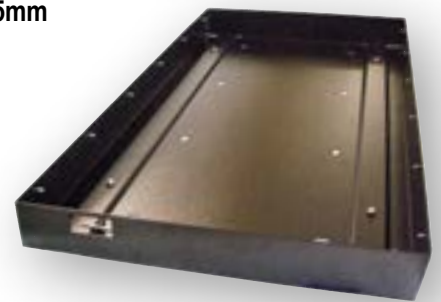


Order Stock Code:

**FSP-01004 (S348)**

### Jurgens Explorer Base Mounting Plate

- Suits NL 72/74/80/90/95/110/125
- 850 x 500 x 75mm
- 9.90 kg

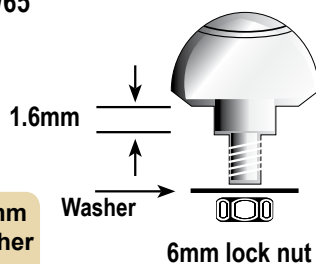


Order Stock Code:

**FSP-01005 (S335)**

### Base Plate 1.6mm Mushroom NL40,50/52,55/60

- Suits NL 40/50/52/55/60/65
- Mushroom + lock nut



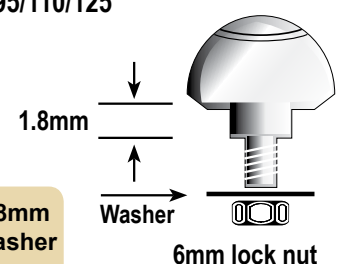
Order Stock Code:

**FAS-81001 Mushroom 1.6mm**  
**FAS-36004 M6x20 Flat washer**  
**FAS-26002 6mm lock nut**

**BSP-30109 NL40 Mushroom mounting kit (Set of Four)**

### Base Plate 1.8mm Mushroom NL80, Explorer

- Suits NL 72/74/80/90/95/110/125
- Mushroom + lock nut



Order Stock Code:

**FAS-81002 Mushroom 1.8mm**  
**FAS-36004 M6x20 Flat washer**  
**FAS-26002 6mm lock nut**

**BSP-30110 NL80 Mushroom mounting kit (Set of Four)**



## TB15 Refrigerator / Freezer



- Thermostat range +10°C to -18°C
- 15 litre capacity
- Weight 8.2 kg
- 565 x 235 x 360mm (Closed)
- Available in 12/24Volt only



Order Stock Code:

IND-00150

## TB18 Refrigerator / Freezer



- Thermostat range +10°C to -18°C
- 18 litre capacity
- Weight 8.6 kg
- 565 x 235 x 405mm (Closed)
- Available in 12/24Volt only



Order Stock Code:

IND-00180

## TB26 Refrigerator / Freezer (TB 2001)

- Thermostat range 4°C to -18°C
- 24.6 litre capacity
- Weight 16 kg
- 9.6~31Vdc
- 580 x 345 x 380mm (Closed)
- Available in 12/24Volt only



Order Stock Code:

IND-00260 (S306)

## TB31 Refrigerator / Freezer

- 28.7 litre capacity
- Thermostat range 20°C to -30°C
- Weight 16 kg
- 9.6~31Vdc & 100~240Vac
- 585 x 345 x 375mm (Closed)



Order Stock Code:

IND-00310

## TB41 Refrigerator / Freezer

- 36.8 litre capacity
- Thermostat range 20°C to -30°C
- Weight 17 kg
- 9.6~31Vdc & 100~240Vac
- 585 x 345 x 440mm (Closed)



Order Stock Code:

IND-00410

## TB51 Refrigerator / Freezer

- 46.5 litre capacity
- Thermostat range 20°C to -30°C
- Weight 18.5 kg
- 9.6~31Vdc & 100~240Vac
- 585 x 345 x 520mm (Closed)



Order Stock Code:

IND-00510

☆☆☆☆☆ **indel B**

# Accessories

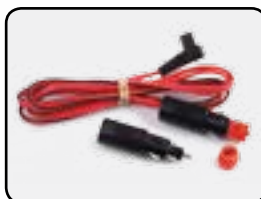
### Indel B/Waeco 12 Volt Cable with Cigar/Combi Plug

- 15 amp fused
- Suits cigar plug and Hella

Order Stock Code:

ISP-60320 Bulk

BSP-10212 Packaged



### 220 Volt 3 Meter Power Lead with SA 3-Pin Plug

Order Stock Code:

BSP-10202



## Protection Jackets

### TB 31, TB 41, TB 51 Protection Jacket

- Grey Unpadded



Order Stock Code:

FSP-60031 TB 31  
FSP-60041 TB 41  
FSP-60051 TB 51

### TB 26 - Protection Jacket (TB 2001)

- Blue Padded



Order Stock Code:

FCO-60001 (S317)

### TB 45 Protection Jacket

- Grey Unpadded



Order Stock Code:

FSP-60045

### TB 55 Protection Jacket

- Grey Unpadded



Order Stock Code:

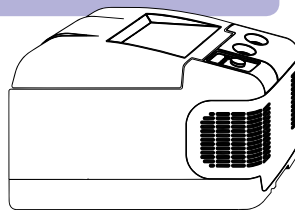
FSP-60055

## Base Mounting Plates

Suits TB 26, TB 31, TB 41 & TB 51 Models

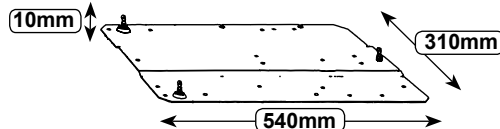
### TB Base Mounting Plate

- 540 x 310 x 10mm (size excludes pins)
- 2.1 kg



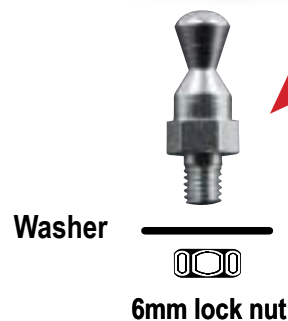
Order Stock Code:

FSP-01002 (S334)



Order Stock Code:

FAS-81003 Indel B Mushroom  
FAS-36004 M6x20 Flat washer  
FAS-26002 6mm lock nut



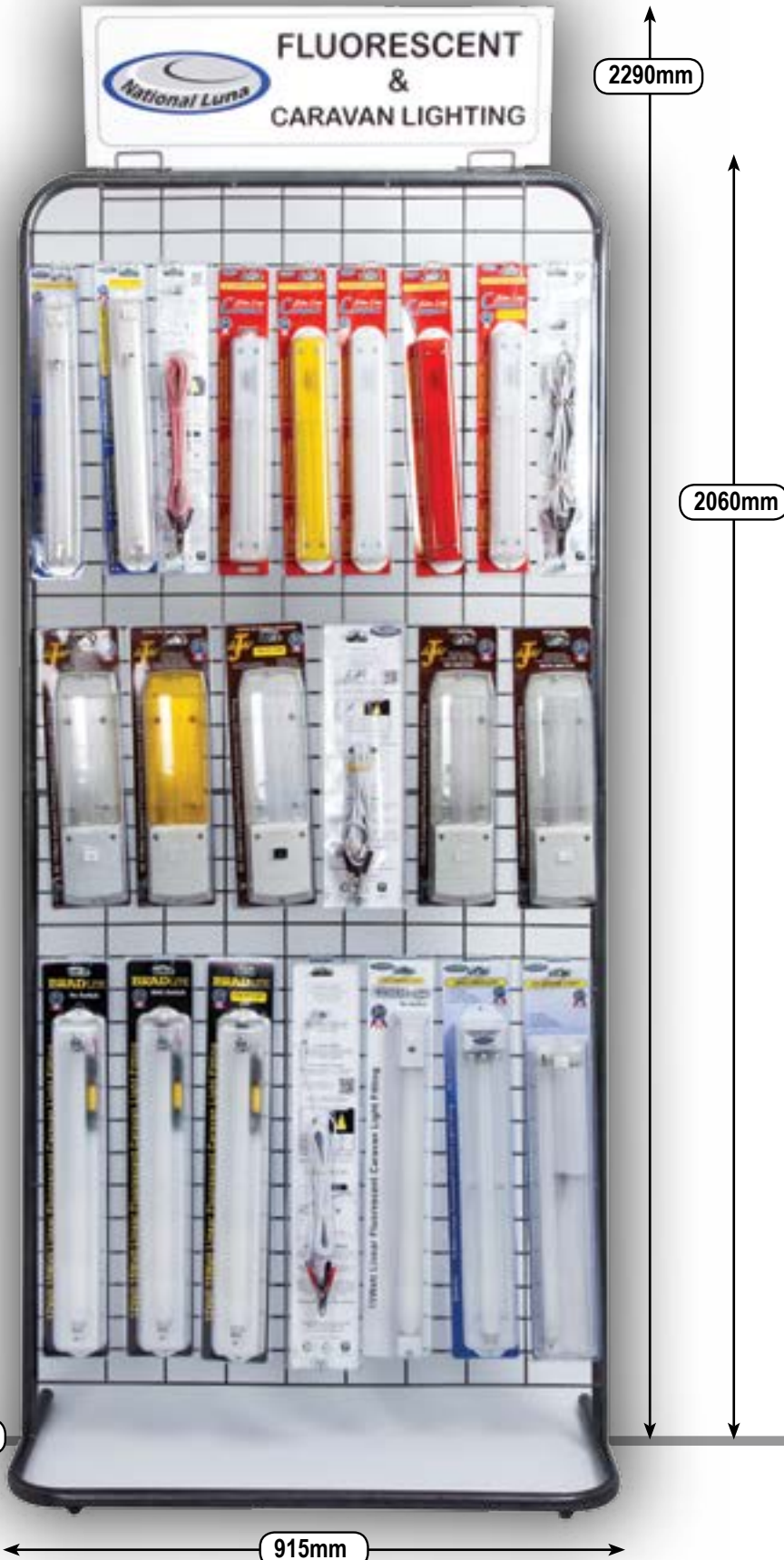
Washer

6mm lock nut



# 12Volt Fluorescent Lighting

## Display Stand



A free-standing Display Stand is available from National Luna on request.

The lighting products are available in sealed "tamper proof" blister-packaging.



# 12Volt Fluorescent Lighting

## 12 Volt / 8W Interior Little Luna

- Polycarbonate diffuser
- Low power 8-watt light
- Slim compact design
- Integrated switch
- 411 x 58 x 42mm



Order Stock Code:  
LIG-00101 (S10)

## 12Volt / 15W Auto Lightstick

- High-strength Polycarbonate diffuser
- 8m cable with battery clips
- Rubberised hanging hook
- Rubber grab-handle
- 15W linear tube
- No switch
- 545 x 44 x 44mm



Order Stock Code:  
LIG-30201 (S83)

## 12 Volt / 8W Little Luna Clip-on (Battery Clamps)

- Tent-pole clip-on (2x19mm Terry Clips)
- 8m cable with battery clamps
- Polycarbonate diffuser
- 8-watt linear tube
- Integrated switch
- 411 x 58 x 77mm



Order Stock Code:  
LIG-00201 (S12)

## 12 Volt / 8W Little Luna Clip-on (Cigar/Hella plug)

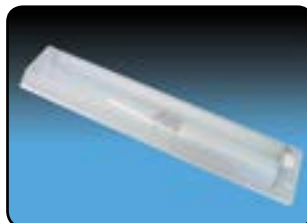
- Tent-pole clip-on (2x19mm Terry Clips)
- 8m cable with cigar/hella combination plug
- Polycarbonate diffuser
- 8-watt linear tube
- Integrated switch
- 411 x 58 x 77mm



Order Stock Code:  
LIG-00202

## 12Volt / 15W Leisure Light

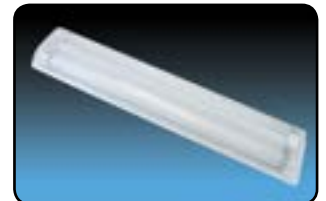
- Polycarbonate diffuser
- Integrated switch
- 15W linear tube
- 500 x 98 x 45mm



Order Stock Code:  
LIG-10101 (S43)

## 12Volt / 30W Leisure Light

- Polycarbonate diffuser
- 2 x 15W linear tubes
- Integrated switch
- 500 x 98 x 45mm



Order Stock Code:  
LIG-10301 (S46)

## 12Volt / 15W Caralight Clear Diffuser

- Polycarbonate diffuser
- Original Caravan Light
- 15-watt linear tube
- No switch
- 504 x 84 x 45mm



Order Stock Code:  
LIG-20001 (S57)

## 12Volt / 15W Caralight Yellow Diffuser

- Polycarbonate diffuser
- 15-watt linear tube
- No switch
- 504 x 84 x 45mm



Order Stock Code:  
LIG-20031 (S58)



# Brad Fluorescent Lighting 12Volt

## 15W Brad Satelyte Exterior (12 volt) No Switch

- Clear Polycarbonate diffuser
- 15W linear tube
- No switch
- 538 x 94 x 52mm



Order Stock Code:

LIG-60001 (S186)

## 15W Brad Satelyte Interior (12 volt) With Switch

- Clear Polycarbonate diffuser
- 15W linear tube
- Integrated pop-switch
- 538 x 94 x 52mm



Order Stock Code:

LIG-60101 (S187)

## 15W Brad Satelyte Tentlite (12 volt)

- Tent-pole clip-on (2x19mm Terry Clips)
- 8m cable with battery clamps
- Clear Polycarbonate diffuser
- Integrated pop-switch
- 15W linear tube
- 538 x 94 x 87mm



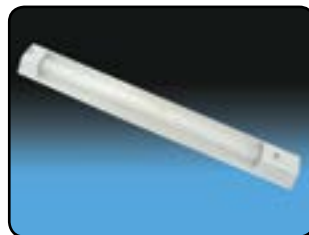
Order Stock Code:

LIG-60201 (S188)

# Comm Fluorescent Lighting 12Volt

## Comm Light (12 volt) (No switch available)

- Impact resistant diffuser
- 15W linear tube
- Slim design
- No switch
- 538 x 58 x 42mm



Order Stock Code:

LIG-70001 (S105)

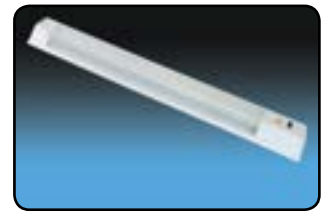
## Comm Light LED (12 volt) with switch

- The Fluorescent Comm Light is not available with switch.
- The light fitting is available with switch in the 12Volt LED version.

See Pg 29

Order Stock Code:

LIG-87101





# Compact Fluorescent Lighting 12Volt

The Compact range is available "with" or "without" mounting ears

Installing the "no ears" version will require removal of the diffuser for installation.

The mounting ear version allows for easy installation.



No Mounting "Ears"



With Mounting "Ears"

← screw hole

### C-Light no ears no switch

- Polycarbonate diffuser
- 11W SE tube
- 350 x 58 x 34mm

Order Stock Code:

LIG-44001	(S60)	Clear
LIG-44011		Red
LIG-44021	(S63)	Opal
LIG-44031		Yellow



### C-Light no ears with switch

- Polycarbonate diffuser
- 11W SE tube
- Integrated switch
- 350 x 58 x 34mm

Order Stock Code:

LIG-44101	(S61)	Clear
LIG-44111		Red
LIG-44121		Opal
LIG-44131		Yellow



### C-Light with mounting ears no switch

- Polycarbonate diffuser
- 11W SE tube
- 380 x 58 x 34mm

Order Stock Code:

LIG-43001	(S66)	Clear
LIG-43011		Red
LIG-43021		Opal
LIG-43031	(S68)	Yellow



### C-Light with mounting ears with switch

- Polycarbonate diffuser
- 11W SE tube
- Integrated switch
- 380 x 58 x 34mm

Order Stock Code:

LIG-43101	(S67)	Clear
LIG-43111		Red
LIG-43121		Opal
LIG-43131	(S69)	Yellow



### C-Light clip-on (12 volt)

- Tent-pole clip-on (2x19mm Terry Clips)
- 8m cable with battery clamps
- Polycarbonate diffuser
- Integrated switch
- 11W SE tube
- 380 x 58 x 70mm



Order Stock Code:

LIG-44201	(S64)	Clear
LIG-44231	(S65)	Yellow

### C-light lens / Polycarbonate diffuser

- C-light replacement diffusers - No switch hole
- Impact-resistant

NOTE: When ordering a lens that requires a switch hole, please specify this on your order.



Order Stock Code:

PLI-14110	(S203)	Clear
PLI-14111		Red
PLI-14112		Opal
PLI-14113	(S80)	Yellow



# J Light Fluorescent Lighting 12Volt

## J-Light Interior no switch

- 11W SE tube
- High light output
- 367 x 101 x 54mm

Order Stock Code:

- LIG-50001 (S137) Clear
- LIG-50011 Red
- LIG-50021 Opal
- LIG-50031 (S138) Yellow



## J-Light Interior with switch

- 11W SE tube
- High light output
- Integrated switch
- 367 x 101 x 54mm

Order Stock Code:

- LIG-50101 (S136) Clear
- LIG-50111 Red
- LIG-50121 Opal
- LIG-50131 Yellow



## J-Light Clip-On

- Tent-pole clip-on (2x19mm Terry Clips)
- 8m cable with battery clamps
- Integrated switch
- 367 x 101 x 90mm
- 11W SE tube



Order Stock Code:

- LIG-50201 (S141) Clear
- LIG-50231 (S142) Yellow

## J-Light Lens

- Replacement J-light diffusers
- Impact-resistant



Order Stock Code:

- PLI-12110 (S159) Clear
- PLI-12111 Red
- PLI-12112 Opal
- PLI-12113 (S160) Yellow

# J Light Fluorescent Lighting 220Volt

## J-Light (230 Vac) no switch

- 11W PL tube
- 230v operation
- 367 x 101 x 54mm

Order Stock Code:

- LIG-52001 (S131) Clear
- LIG-52031 (S132) Yellow

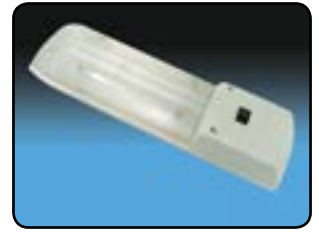


## J-Light (230 Vac) with switch

- 11W PL tube
- 230v operation
- Integrated switch
- 367 x 101 x 54mm

Order Stock Code:

- LIG-52101 (S130) Clear
- LIG-52131 Yellow





# 24Volt Fluorescent Lighting

## 24 Volt Interior Little Luna

- Polycarbonate diffuser
- Low power 8-watt light
- Slim compact design
- 411 x 58 x 42mm

Order Stock Code:

LIG-01101 (S11)



## 24Volt / 15W Caralight Clear Diffuser

- Polycarbonate diffuser
- 15-watt linear tube
- No switch
- 504 x 84 x 45mm

Order Stock Code:

LIG-21001 (S59)



## 24 Volt / 15W Leisure Light

- Polycarbonate diffuser
- 15W linear tube
- Integrated switch
- 500 x 98 x 45mm

Order Stock Code:

LIG-11101 (S44)



## 24 Volt / 30W Leisure Light

- Polycarbonate diffuser
- 2 x 15W linear tubes
- Integrated switch
- 500 x 98 x 45mm

Order Stock Code:

LIG-11301 (S47)



See page 31/32 for Compact LED 10Vdc - 30Vdc products





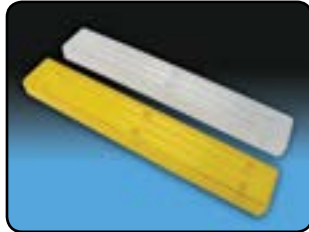
# Fluorescent Lighting Spares

## Caralight Replacement Lens (diffuser)

- Impact resistant Polycarbonate

Order Stock Code:

PLI-10150 (S1228) Clear  
 PLI-10153 Yellow



## C-light Replacement Lens (Polycarbonate diffuser)

NOTE: When ordering a lens that requires a switch hole, please specify this on your order.

Refer to Price List Page - 17

Order Stock Code:

PLI-14110 (S203) Clear  
 PLI-14111 Red  
 PLI-14112 Opal  
 PLI-14113 (S80) Yellow



## J-light Replacement Lens (diffuser)

- High impact

Refer to Price List Page - 18

Order Stock Code:

PLI-12110 (S159) Clear  
 PLI-12111 Red  
 PLI-12112 Opal  
 PLI-12113 (S160) Yellow



## Little Luna Light Replacement Lens (diffuser)

- Impact resistant Polycarbonate

Order Stock Code:

PLI-10080 Clear

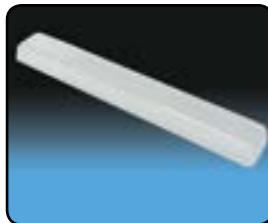


## Brad Light Replacement Lens (diffuser)

- Impact resistant Polycarbonate
- Request switch hole

Order Stock Code:

PLI-13150 No hole drilled

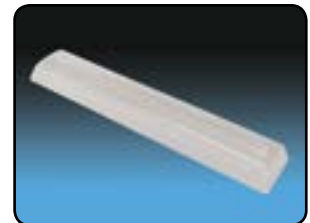


## 15W Leisure Light Replacement Lens (diffuser)

- Impact resistant Polycarbonate

Order Stock Code:

PLI-10154 Clear



## 19mm Terry Clips (used on clip-on lights)

- Suits most tent poles

Order Stock Code:

MET-10000 (S1117)

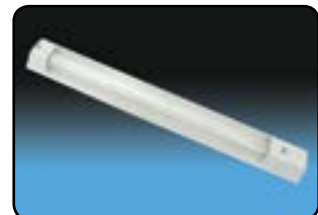


## 15W Comm Light Replacement Lens

- Impact resistant diffuser

Order Stock Code:

PLI-11150 Clear



## Slow Blow Fuse (5x20) (5 x Pack)

- Supplied 5 per pack
- Ø 5 x 20mm

Order Stock Code:

BSP-20160 (S1918) 1.6A  
 BSP-20315 (S1919) 3.15A



## Battery Clamps (used on clip-on lights)

Order Stock Code:

CON-02001 (S1119) Black  
 CON-02002 (S1118) Red

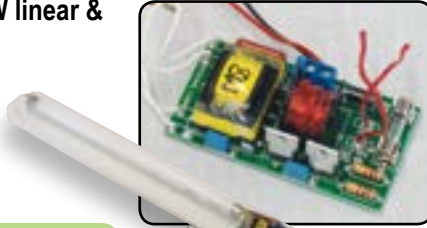




# Fluorescent Lighting Spares

## 8W-9W Fluorescent Tube Driver

- 12v - 8W Circuit board with terminals 4 pin
- Suitable for 8W linear & 9W SE tube
- 71x38x24mm
- 10.5 ~ 14Vdc



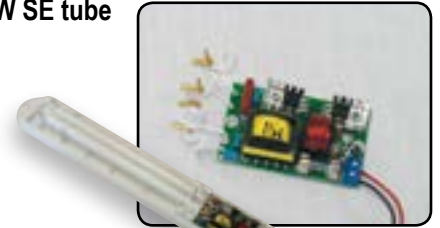
Order Stock Code:

LSP-00001 (S520) 12Vdc

LSP-00011 24Vdc

## C-Light Fluorescent Tube Driver

- 12v - 11W C-Light Circuit board with terminals 4 pin
- Suitable for 11W SE tube
- 73x42x24mm
- 10.5 ~ 14Vdc

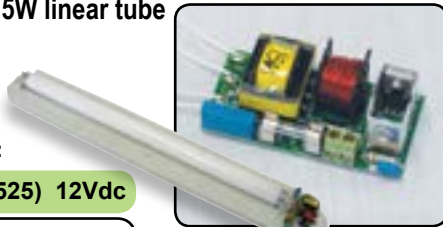


Order Stock Code:

LSP-00401 (S72) 12Vdc

## Caralight Fluorescent Tube Driver

- 12v - 15W Circuit board with terminals 4 pin
- Suitable for 15W linear tube
- 69x35x24mm
- 10.5 ~ 14Vdc



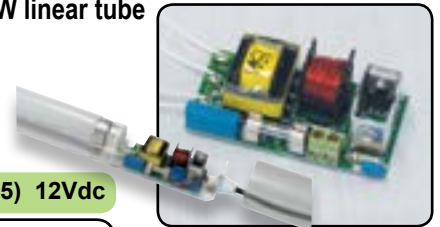
Order Stock Code:

LSP-00201 (S525) 12Vdc

LSP-00211 24Vdc

## 15W Auto Lightstick Fluorescent Tube Driver

- 4-pin tube driver electronics
- Suitable for 15W linear tube
- 69x35x24mm
- 10.5 ~ 14Vdc



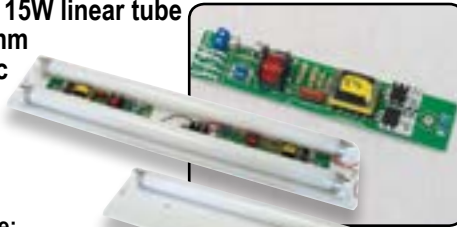
Order Stock Code:

LSP-00201 (S525) 12Vdc

LSP-00211 24Vdc

## 15W Leisure Light Fluorescent Tube Driver

- 12v - 15W Leisure Light Circuit board with terminals
- Suitable for 15W linear tube
- 160x32x24mm
- 10.5 ~ 14Vdc



Order Stock Code:

LSP-00101 (S528) 12Vdc

LSP-00111 24Vdc

## Commlight Fluorescent Tube Driver

- 12v - 15W Commlight Circuit board - no switch
- Suitable for 15W linear tube
- 47x47x24mm
- 10.5 ~ 14Vdc

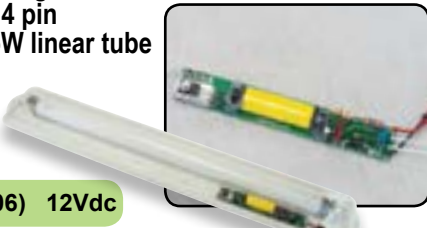


Order Stock Code:

LSP-00701 (S106) 12Vdc

## Brad Light Fluorescent Tube Driver

- 12v - 15W Brad Light Circuit board with terminals 4 pin
- Suitable for 15W linear tube
- 119x19x15mm
- 10.5 ~ 14Vdc

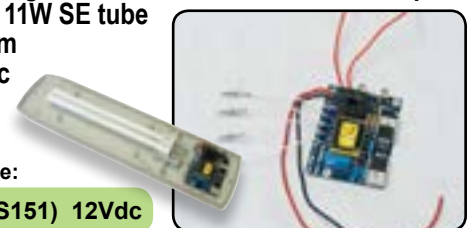


Order Stock Code:

LSP-00601 (S206) 12Vdc

## J-Light Fluorescent Tube Driver

- 12v - 11W J-Light Circuit board with terminals 4 pin
- Suitable for 11W SE tube
- 73x54x24mm
- 10.5 ~ 14Vdc



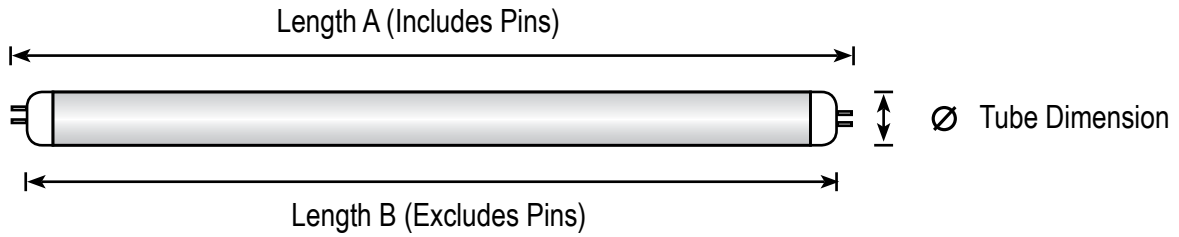
Order Stock Code:

LSP-00501 (S151) 12Vdc



# Fluorescent Tube Spares

## Linear Fluorescent Tubes



Order Stock Code:

		Ø x A (B Excludes pins)	
TUB-00081	(S1000)	8W - 16 x 301 (287)mm	
TUB-00080	(S1003)	8W - 16 x 301 (287)mm (Osram)	
TUB-00130	(S1002)	13W - 16 x 532 (520)mm	
TUB-00100	(S1001)	10W - 26 x 346 (330)mm	
TUB-00151	(S1005)	15W - 26 x 450 (432)mm	
TUB-00152		15W - 26 x 450 (432)mm (Yellow)	

## Compact Fluorescent Tubes

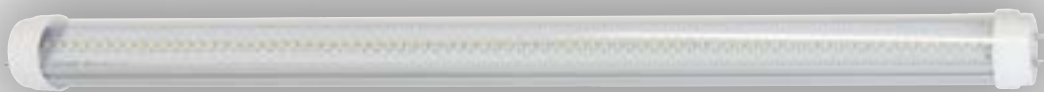
• The 11-watt compact tube offers hi-light output.

Order Stock Code:

TUB-01111	(S145)	11W 2 pin PL - 16 Ø x 233mm (Includes pins)	
TUB-00112	(S150)	11W 4 pin SE - 16 Ø x 220mm (Includes pins)	



# Energy Saving LED Lighting



All National luna 8W and 15W versions of 12Volt fluorescent light fittings can be converted to an LED light using the new LED "Tube Fitting".

(Simply remove the old tube and electronic driver and replace with the new LED tube).

## 12V T5 48xLED tube (suits 8W equivalent)

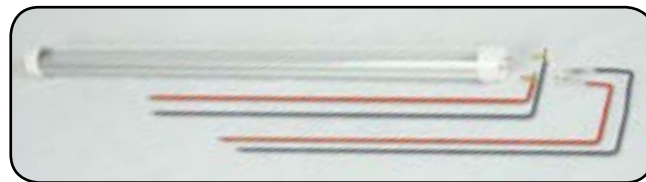
- Ø 16 x 301mm (287 excludes pins)
- Electronic PCB separate
- 5 Watt power
- 10vdc - 16vdc



Order Stock Code:  
**LSP-80000**

## 12V T8 80xLED tube (suits 15W equivalent)

- Ø 26 x 450mm (432 excludes pins)
- Electronic PCB integrated
- 350mm red/black wire
- In-line terminals x2
- 90° terminals x 2
- 10 Watt power
- 10vdc - 16vdc



Order Stock Code:  
**LSP-80001**

Typical installation of an LED tube in a caravan light fitting



5 Watt Tube



10 Watt Tube



# Energy Saving LED Lighting



### 12V (48 x LED) Little Luna (with switch)

- Polycarbonate diffuser
- Dim / Bright function
- Integrated dual switch
- 411 x 58 x 42mm



Order Stock Code:  
LIG-80101

### 12V (48 x LED) Little Luna Tentlight 8m lead

- Tent-pole clip-on (2x19mm Terry Clips)
- 8m cable with cigar/Hella male plug
- Cigar female + battery clamp adapter
- Polycarbonate diffuser
- Integrated switch
- 411 x 58 x 42mm



Order Stock Code:  
LIG-80201

### 12V (80 x LED) Brad Light (no switch)

- Polycarbonate diffuser
- No switch
- 538 x 94 x 52mm



Order Stock Code:  
LIG-86001

### 12V (80 x LED) Brad Tentlight 8m lead (with switch)

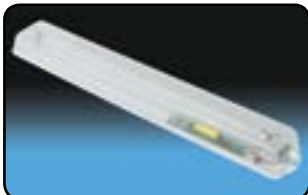
- Tent-pole clip-on (2x19mm Terry Clips)
- 8m cable with cigar/Hella male plug
- Cigar female + battery clamp adapter
- Polycarbonate diffuser
- Integrated switch
- 538 x 94 x 52mm



Order Stock Code:  
LIG-86201

### 12V (80 x LED) Brad Light (with switch)

- Polycarbonate diffuser
- Integrated switch
- 538 x 94 x 52mm



Order Stock Code:  
LIG-86101

### 12V (80 x LED) Caralight (no switch)

- Polycarbonate diffuser
- No switch
- 504 x 84 x 45mm



Order Stock Code:  
LIG-82001

### 12V (80 x LED) Comm Light (with switch)

- High impact diffuser
- Integrated switch
- 538 x 58 x 42mm



Order Stock Code:  
LIG-87101

### 12V (80 x LED) Comm Light (no switch)

- High impact diffuser
- No switch
- 538 x 58 x 42mm



Order Stock Code:  
LIG-87001



## Safe, Natural Light

These lights provide a natural white light similar to daylight without any ultra-violet or infra-red emission, making them safe and pleasant to use.

## Ultimate Energy Saving

The combination of high quality LED's and a high efficiency regulator circuit provides the best light output at the lowest power consumption. *When other lights start to fade, these lights keep going for longer.*

## Anti-Glare

- A specially designed anti-glare texture combined with high-clarity polycarbonate reduces glare.
- Also eliminates UV emission and improves light distribution.
- The increase in light spread prevents eye fatigue.

## Wide Operating Conditions

Efficient power regulation ensures constant light output throughout the full voltage range, resulting in cool operation and extended product life.

## Quality Construction

- All models use high-quality LED's and electronic components as well as metal circuit boards for durable, trouble-free operation.
- Ultra-power models are assembled with an aluminium base for low temperature, long-term operation.

## Electrical Protection

This light is protected against abnormal electrical conditions such as reverse polarity, short-circuits and surges common in electrical circuits. (Correct polarity is required for operation.)

## Colour Lens Option

Optional red and yellow lenses are available.



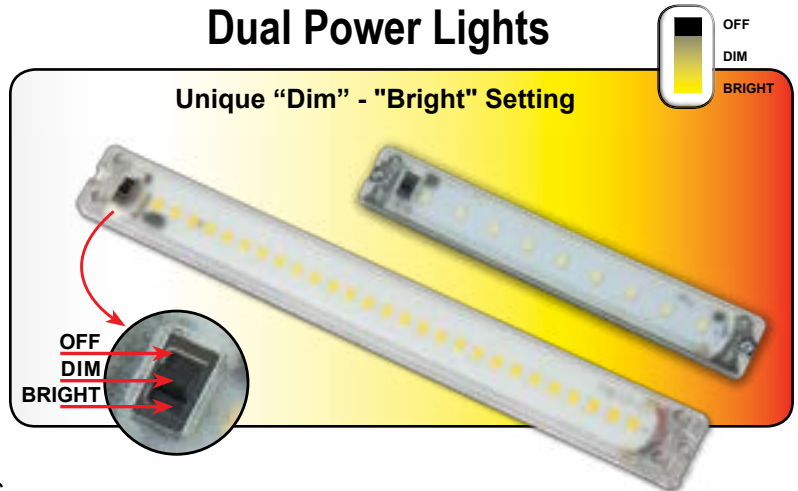
## Dual-Power 2-in-1 Function

- Select between a low and high power mode.
- "Dim" mode is perfect for ambient lighting and is the ultimate energy saver.
- "Bright" mode provides full light output, useful for wide-area lighting.

## Clip-on Lead Light Option

- Clip-on versions are available for quickly attaching to poles for a non-permanent setup.
- 8 metre cables supplied with all clip-on models.

## Dual Power Lights



Unique "Dim" - "Bright" Setting

## Technical Specifications

	9-LED	15-LED	21-LED	27-LED
Stock Code	LED-01030, LED-02030 LED-02031 LED-02330 LED-02331	LED-21050	LED-11070	LED-31090 LED-32090 LED-32390
<b>Operating Voltage Range (Vdc)</b>				
	10-15	10-35	10-30	10-30
<b>Luminous Flux (Lumens)</b>				
Dim	62	67	69	104
Bright	176	353	464	593
<b>Current (mA) at 12Vdc</b>				
Dim	61	54	54	83
Bright	190	297	407	530
<b>Power Consumption (Watts)</b>				
Dim	0.73	0.65	0.65	1.00
Bright	2.28	3.56	4.88	6.36
<b>Efficacy (Lumens per Watt)</b>				
Dim	85	103	106	104
Bright	77	99	95	93
<b>Size (mm) LxWxH</b>				
	200x30x16	200x30x16	300x35x16	300x35x16

## Light Emmiting Diodes (commonly known as LEDs) use less energy.

LED lighting is quickly making it's way into our daily lives replacing older technologies and offering improved energy efficiency, higher durability, increased life, lower maintenance and improved brightness.

The low-power nature of LED lighting makes them an ideal choice for automotive, camping, caravans,boating, solar or any battery-powered application where energy saving is essential

### Plastic Chassis Range

12Volt (9 x LED)

62 / 176 Lumens

- 10Vdc - 15Vdc operation
- 200 x 30 x 16mm
- 62 Lumens (Dim)
- 176 Lumens (Bright)

Order Stock Code:

LED-01030

LED-01031 BULK



### Aluminium Chassis Range

12Volt / 24Volt (15 x LED)

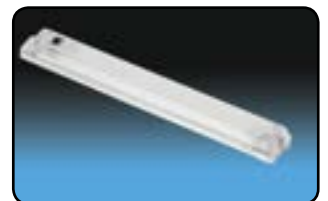
67 / 353 Lumens

- 10Vdc - 30Vdc operation
- 200 x 30 x 16mm
- 70 Lumens (Dim)
- 350 Lumens (Bright)

Order Stock Code:

LED-21050

LED-21051 BULK



12Volt / 24Volt (21 x LED)

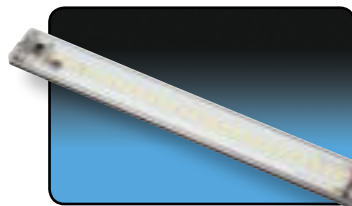
69 / 464 Lumens

- 10Vdc - 30Vdc operation
- 300 x 35 x 16mm
- 70 Lumens (Dim)
- 480 Lumens (Bright)

Order Stock Code:

LED-11070

LED-11071 BULK



12Volt / 24Volt (27 x LED)

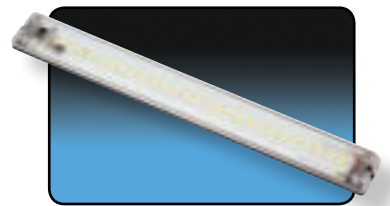
104 / 593 Lumens

- 10Vdc - 30Vdc operation
- 300 x 35 x 16mm
- 105 Lumens (Dim)
- 616 Lumens (Bright)

Order Stock Code:w

LED-31090

LED-31091 BULK



## Clip-on Range

12Volt (9 x LED)

62 / 176 Lumens

- Tent-pole clip-on (2x19mm Terry Clips)
- 8m cable and battery clamps
- 10Vdc - 15Vdc operation
- 200 x 30 x 51mm

Order Stock Code:

LED-02030 Clear

LED-02330 Yellow



12Volt / 24Volt (27 x LED)

104 / 593 Lumens

- 8m Cable, Cigar Combi plug & battery clamp adapter
- Tent-pole clip-on (2x19mm Terry Clips)
- 10Vdc - 30Vdc operation
- Cigar/Hella combi plug
- 300 x 35 x 51mm

Order Stock Code:

LED-32090 Clear

LED-32390 Yellow



12Volt (9 x LED)

62 / 176 Lumens

- Tent-pole clip-on (2x19mm Terry Clips)
- 8m cable and Cigar Combi plug
- 10Vdc - 15Vdc operation
- 200 x 30 x 51mm

Order Stock Code:

LED-02031 Clear

LED-02331 Yellow



## Weatherproof Touch Light

The new Weatherproof Touch Lights are compact, versatile LED lights that combine exceptionally high efficiency with intense brightness for any interior or exterior 12Vdc or 24Vdc application.



### 3-in-1 Touch Light with 'Strobe' function

- The advanced touch control provides 3 x brightness levels as well as a unique strobe function.
- The strobe mode can be operated by touching the sensor switch continuously until the strobe activates.

### Standby Light (Find in the Dark)



The touch button is illuminated by a soft backlight when turned OFF. This standby light is useful for locating the button in complete darkness.

### Advanced Power Management

- Power management ensures constant power and brightness over changing voltage conditions.
- Protection against unstable and varying power sources is also included.
- The automatic economy and shut-down functions further reduce power consumption in battery applications.
- The light will automatically switch to the low power function to conserve energy - eventually switching off at 10Vdc. (This prevents excessive discharge and permanent damage to a battery).

#### 12Volt / 24Volt (18 x LED) "White"

- 10Vdc - 30Vdc operation
- 250 x 38 x 12mm

Order Stock Code:  
**LED-43060 Clear**

**LED-43061 Bulk**



18 x LED White Mode

	LOW	MEDIUM	HIGH
CURRENT (mA at 12.0Vdc)	52	197	389
POWER (Watts)	0.62	2.36	4.67
LUMINOUS FLUX	75	284	547
LUMENS PER WATT	121	120	117

#### 12Volt / 24Volt (18 x LED) "Yellow"

- 10Vdc - 30Vdc operation
- 250 x 38 x 12mm

Order Stock Code:  
**LED-43360 Yellow**

**LED-43361 Bulk**



12 x LED Yellow Mode

	LOW	MEDIUM	HIGH
CURRENT (mA at 12.0Vdc)	51	196	389
POWER (Watts)	0.61	2.35	4.67
LUMINOUS FLUX	61	235	456
LUMENS PER WATT	100	100	97





## Dual Colour Touch Lights

In addition to the unique features of the Weatherproof Touch Light, the Dual Colour Touch Lights now offer two colour modes. (i.e. operating 18 x white LEDs or 12 x colour LEDs.)



### 18+12 LED Dual Colour Touch Light (White/Yellow)

- 10Vdc - 30Vdc operation
- 250 x 38 x 12mm

Order Stock Code:  
LED-44360 White+Yellow  
LED-44361 Bulk



	18 x LED White Mode			12 x LED Yellow Mode		
	LOW	MEDIUM	HIGH	LOW	MEDIUM	HIGH
CURRENT (mA at 12.0Vdc)	52	197	389	37	106	210
POWER (Watts)	0.62	2.36	4.67	0.44	1.27	2.52
LUMINOUS FLUX	75	284	547	17	58	90
LUMENS PER WATT	121	120	117	39	46	36

### 18+12 LED Dual Colour Touch Light (White/Red)

- 10Vdc - 30Vdc operation
- 250 x 38 x 12mm

Order Stock Code:  
LED-44160  
LED-44161 Bulk



	18 x LED White Mode			12 x LED Red Mode		
	LOW	MEDIUM	HIGH	LOW	MEDIUM	HIGH
CURRENT (mA at 12.0Vdc)	52	197	389	36	103	205
POWER (Watts)	0.62	2.36	4.67	0.43	1.24	2.46
LUMINOUS FLUX	75	284	547	15	54	99
LUMENS PER WATT	121	120	117	35	44	40



# Compact LED Lighting



## Colour Lens Options - Dual Power Lights

### Colour Lens options - With switch

200mm Order Stock Code:

LSP-12100 Clear  
LSP-12110 Red  
LSP-12130 Yellow

300mm Order Stock Code:

LSP-13100 Clear  
LSP-13110 Red  
LSP-13130 Yellow



### Colour Lens options - Without switch

200mm Order Stock Code:

LSP-12000 Clear  
LSP-12010 Red  
LSP-12030 Yellow

300mm Order Stock Code:

LSP-13000 Clear  
LSP-13010 Red  
LSP-13030 Yellow



## LED Display Boards

4 x LED Display Board (with milli-amp meter).

Size: 340(W)x345(H) mm



**These lights and display boards remain the property of National Luna and may not be sold.**

Display Boards are available on a 'loan' basis to stock holding dealers.

For insurance purposes the dealer must carry the insurance value as follows...

4 x LED Display Board value - R2,500 (excl. VAT)

8 x LED Display Board value - R5,000 (excl. VAT)

National Luna reserves the right to remove the display as it sees fit. (In the event of the Display being lost or not available, the Dealer would be invoiced for the goods).

8 x LED Display Board (with milli-amp & watt meter).

Size: 656(W)x355(H) mm





# Display Stands

A free-standing Display Stand is available from National Luna on request.  
The products are available in sealed "tamper proof" blister-packaging.





# Battery Management Systems

## Testing Equipment

### Battery Tester with Cigar Plug

- Digital Volt Meter
- From 5 to 30 Volts

Order Stock Code:

**CON-00201 (Bulk)**

**BSP-00401 Packaged**



### Cigar Female + Clamps

- The battery tester can be used with the cigar female and battery clamp kit for direct battery connection

Order Stock Code:

**BSP-00004 Packaged**



## Battery Charging Equipment



Order Stock Code:

**BMS-60050**

# Intelligent BATTERY CHARGER

## Charges & Maintains

Flooded (WET), MF, VRLA, AGM, GEL & Calcium batteries

A compact Dual Function 12Volt Battery Charger suitable for motorcycle, motor vehicle and Deep Cycle batteries



### UNIQUE FEATURES - ONE CHARGER DOES IT ALL !

- Automatically Diagnoses, Recovers & Charges Flooded (WET), MF, VRLA, AGM, GEL & Calcium batteries
- Unique charging and maintenance feature enhances battery life (Can be permanently connected)
- 8 Step fully automatic smart charge & maintenance program
- 1.2Ah - 120Ah (charging) up to 160Ah battery capacity
- Rescues drained batteries over 2 Volt
- Includes Quick Connect battery clamps
- Includes Quick Connect ring terminals





# Battery Management Systems

## Split Charging Systems

### Battery Manager DIY kit

- 6m red & black cable (16mm<sup>2</sup>)
- Includes Dual Battery monitor
- Battery terminals supplied
- Double insulated cable
- In-line fuses supplied
- Dual battery isolator



Order Stock Code:

**BMS-20201 (S355)**

### Intelligent Solenoid (5 minute timer)

- Continuous 85Amp High-current capability
- Stand alone battery isolator
- No ignition sense required
- Durable, low-loss solenoid
- High-current capability
- Simple to install



Order Stock Code:

**BMS-20001 (S380) Black base**

**BMS-20005 (Grey base - Land Rover spec)**

### Intelligent Solenoid (45 second timer) Red Base

- Continuous 85Amp High-current capability
- Stand alone battery isolator
- No ignition sense required
- Durable, low-loss solenoid
- Simple to install



Order Stock Code:

**BMS-20004 Red base**

### Single Battery Monitor (no alarm)

- Digital 12-volt battery monitor
- Low-voltage visual warning
- Overcharge visual warning
- Simple, accurate display
- Mounting plate supplied
- 3.5m cable supplied



Order Stock Code:

**BMS-10100 (S384)**

### Single Battery Monitor (with alarm)

- Battery monitor with alarm
- Audible and visual alarms
- Mounting plate supplied
- 3.5m cable supplied



Order Stock Code:

**BMS-10101 (S386)**

### Recessed Single Battery Monitor

- Battery monitor with alarm
- Flush mount design for panels
- Audible and visual alarms
- 3.5m cable supplied



Order Stock Code:

**BMS-10111 (S387)**

### Dual Battery Monitor

- Monitors two 12V batteries
- Audible and visual alarms
- 3.5m cable supplied
- Mounting plate supplied



Order Stock Code:

**BMS-10201 (S388)**

### Recessed Dual Battery Monitor

- Panel-mount, recessed design
- Monitors two 12V batteries
- Audible and visual alarms
- 3.5m cable supplied



Order Stock Code:

**BMS-10211 (S389)**

### Dual Battery Controller

- Suitable for Intelligent Solenoid & Portable Power Pack
- Digital dual-battery monitor
- Mounting plate supplied
- 3.5m cable supplied
- Timer override



Order Stock Code:

**BMS-10301 (S390)**

### Recessed Dual Battery Controller

- Suitable for Intelligent Solenoid & Portable Power Pack
- Digital dual-battery monitor
- Mounting plate supplied
- 3.5m cable supplied
- Timer override



Order Stock Code:

**BMS-10311 (S393)**



# Battery Management Systems

## Portable Power Pack excludes cable & hardware

- Split-charge isolator built-in
- Integrated battery monitors
- Fused accessory outputs
- Large battery capability

Order Stock Code:

**BMS-20101**

**BMS-20103 Land Rover Spec**



## Portable Power Pack includes cable & hardware

- 7 meter power cable (Double-insulated)
- Split-charge isolator built-in
- Integrated battery monitors
- Fused accessory outputs
- Large battery capability
- Hardware kit

Order Stock Code:

**BMS-20102**

**BMS-20104 Land Rover Spec**



## Portable Power Pack Cable Set

- For use with portable power pack
- 7- metre, 16mm<sup>2</sup> cable pair
- 50A DC coupler attached
- Double-insulated cable

Order Stock Code:

**WIR-57401 (S510)**



## Battery U-bolt Bracket

- For use with Portable Power Pack
- Wide-body galvanised bracket
- Vibration resistant star-washers
- High-strength V-bar
- Wing nuts

Order Stock Code:

**POP-50001 (S511)**



## Portable Power Pack Hardware Kit

- Mega fuse holder
- Battery terminals
- 100Amp fuse
- Wiring lugs

Order Stock Code:

**POP-50004 (S512)**



## Dual Controller Interface Cable

The interface cable is used to mate the controller and the Intelligent Solenoid, as well as the Portable Power Pack box.

Order Stock Code:

**BSP-10206 (S392) 3.5 meters**

**BSP-10207 (S391) 6.0 meters**



## Slide-Lid Plastic Grey Battery Box

- Multiple cable-entry surfaces
- Uses battery U-bolt bracket
- Slide-lock lid

Order Stock Code:

**PLO-20001 (S718)**

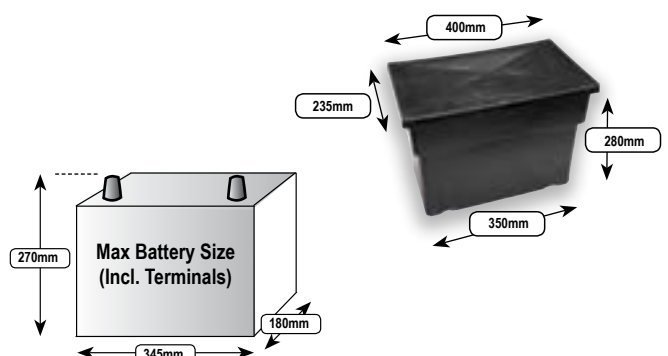
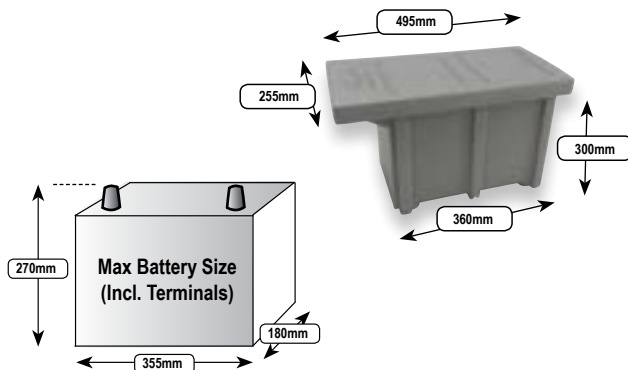


## Black Plastic Battery Box

- Accommodates up to 105Ah batteries
- Moulded plastic box with lid
- Available in black only

Order Stock Code:

**PLO-20002 (S715)**





# Battery Management Accessories

## In-Line Accessory Fuse

- Standard automotive blade fuses (15A supplied)
- Push-on wire terminals
- End-to-end stackable
- Clear dirt cover

Order Stock Code:

**FUS-41006 Bulk (No Fuse)**

**BSP-10001 (S406) Packaged**



## MTA Weather Proof In-Line Fuse Holder

- Standard automotive blade fuses (15A supplied)
- Water-proof when closed
- Pre-fitted 4.0mm<sup>2</sup> wires

Order Stock Code:

**FUS-42002 Bulk (No Fuse)**

**BSP-10002 (S407) Packaged**



## MTA In-Line Fuse Holder

- Accommodates cables up to 16mm<sup>2</sup>
- Insulated strip-fuse holder
- Fuse not supplied
- Clip on cover
- Suits 30-125Amp fuses

Order Stock Code:

**FUS-42001 Bulk (No Lugs)**

**BSP-10201 (S414) Packaged**



## Brass Shunt to suit MTA & Mega Fuse Holders

- Used for connecting wires without a fuse
- Supplied as brass strip only (No fuse holder supplied)

Order Stock Code:

**MET-22001 Bulk only**



## NL In-Line Fuse Holder

- Accommodates cables up to 16mm<sup>2</sup>
- Insulated strip-fuse holder
- Spare fuse holder
- Clip on cover
- Suits 30-125Amp fuses
- Fuses not supplied
- 2x (5x16mm Lugs)

Order Stock Code:

**FUS-42004 Bulk (No Lugs)**

**BSP-10103 Packaged 2xLugs**



## NL Mega Fuse Holder 4-way

- Suitable for cables up to 35mm<sup>2</sup>
- Long, high-strength studs
- 4-way cable entry
- Spare fuse holder
- Suits 30-125Amp fuse
- Fuses not supplied
- Lugs not supplied

Order Stock Code:

**FUS-42003 Bulk**

**BSP-10101 Packaged**



## NL Mega fuse kit (retail packaging)

- Supplied with strip-fuses, lugs & screws
- Suitable for cables up to 35mm<sup>2</sup>
- 2 X 100Amp fuses supplied
- Mega fuse holder
- 4 way junction
- Brass shunt

Order Stock Code:

**BSP-10102 (S417) Packaged**



## MidiVal Strip-Fuses Bulk (Not Packaged)

- Suitable for MTA, NL in-line Fuse holder and Mega fuse holders

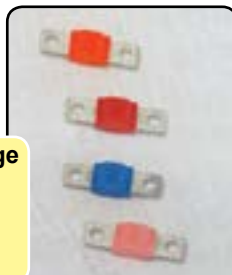
Order Stock Code:

**FUS-20300 (S405) 30Amp Orange**

**FUS-20500 (S416) 50Amp Red**

**FUS-21000 (S415) 100Amp Blue**

**FUS-21250 (S419) 125Amp Pink**



## MidiVal Strip-Fuses Packaged (Individually)

- Suitable for MTA, NL in-line Fuse holder and Mega fuse holders

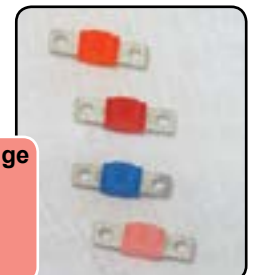
Order Stock Code:

**BSP-20300 (S405) 30Amp Orange**

**BSP-20500 (S416) 50Amp Red**

**BSP-21000 (S415) 100Amp Blue**

**BSP-21250 (S419) 125Amp Pink**





# Battery Management Accessories

## Hella Female Socket

- Accommodates up to 4mm<sup>2</sup> cable
- DC socket with dirt cover

Order Stock Code:

**CON-01001** Bulk

**BSP-00001** (S336) Packaged



## Earth Tag to Suit Hella Female

- Used for electrical grounding
- Copper-Nickel coated steel
- Solderable surface

Order Stock Code:

**MET-10010** Bulk

**BSP-00005** (S338) Packaged



## Hella Male / DIN Plug

- Accommodates up to 4mm<sup>2</sup> cable
- Fits Hella female socket

Order Stock Code:

**CON-00001** Bulk

**BSP-00101** (S337) Packaged



## Brass Earth Tag to Suit Hella Female

- Used for electrical grounding
- Suitable for 6.3mm push-on lug
- Solderable surface

Order Stock Code:

**MET-10014** (no Lugs) Bulk

**BSP-00008** (2 x Lugs) Packaged



## Hella Equivalent Female Socket Aluminium Body

- High-quality DC contacts
- Spring-loaded dirt cover
- Push-on male terminals

Order Stock Code:

**CON-01003** Bulk



## Hella Equivalent Female Socket Aluminium Body

- High-quality DC contacts
- Spring-loaded dirt cover
- Push-on male terminals
- 2 x 4mm female terminals
- 2 x 2.5mm female terminals

Order Stock Code:

**BSP-00002** (S404) Packaged



## Female Socket with protective cap plastic

- High-quality DC contacts
- Spring-loaded dirt cover
- Push-on male terminals
- Suits Din / Hella male std.

Order Stock Code:

**CON-01005** Bulk

**BSP-00006** Packaged



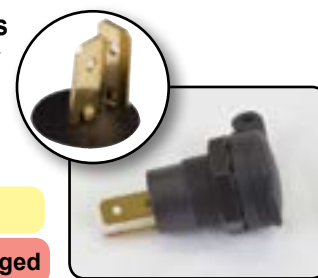
## Female Socket with protective cap (90° Angle) plastic

- High-quality DC contacts
- Spring-loaded dirt cover
- Push-on male terminals

Order Stock Code:

**CON-01006** Bulk

**BSP-00007** Packaged



## Cigar Female Socket

- Standard panel-mount cigarette-lighter socket
- Rubber dirt cover
- Grounded body

Order Stock Code:

**BSP-00003** (S401) Packaged



## Cigar Female Socket with Battery Clamps

- Cigar lighter female socket with battery clips

Order Stock Code:

**CON-01004** Bulk

**BSP-00004** (S403) Packaged







# Battery Management Accessories

## Cigarette Lighter Socket to Hella Male Adapter

- Plug into existing car cigar lighter and converts to Hella female
- 12 Volt 20Amp rated

Order Stock Code:

CON-01008 Bulk

BSP-00108 Packaged



- Cigarette lighter female socket showing the internal clip connection when installed in the vehicle

## Cigar Male Plug

- Solderable internal contacts
- Suits cigar female socket

Order Stock Code:

BSP-00102 (S400) Packaged



TO BE REPLACED WITH CON-00003

## Cigar Male Plug (Unfused)

- Solderable internal contacts
- Suits cigar female socket

Order Stock Code:

CON-00003 Bulk

BSP-00102 Packaged



## Cigar Male Plug (Internal fused 8 amp)

- Solderable internal contacts
- Suits cigar female socket
- 5x20 8amp Glass fuse

Order Stock Code:

CON-00006 Bulk

BSP-00104 Packaged



## Cigar Male Plug (External Blade fuse 7.5 amp) LED

- Push-on 1.5mm<sup>2</sup> wires
- Suits cigar female socket
- 7.5amp Mini car fuse
- LED Power Indicator
- Quick connect

Order Stock Code:

CON-00007 Bulk

BSP-00105 Packaged



## Hella / Cigar Universal Plug

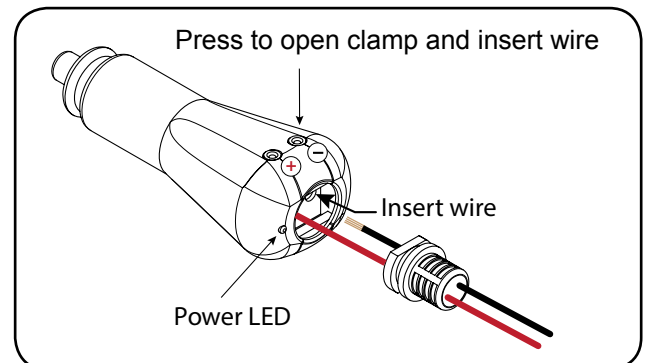
- Combination Hella and cigarette lighter male plug

Order Stock Code:

BSP-00103 (S402) Packaged



TO BE REPLACED WITH CON-00004



## Universal Combi Plug - (No Fuse) with LED

- Combination Hella and cigarette lighter male plug
- LED Power indicator
- Suits cigar & Hella female

Order Stock Code:

CON-00004 Bulk

BSP-00106 Packaged



## Universal Combi Plug (Internal Fused 15 amp) with LED

- Combination Hella and cigarette lighter male plug
- LED Power indicator
- 5x20 8amp Glass fuse
- Suits cigar & Hella female

Order Stock Code:

CON-00005 Bulk

BSP-00107 Packaged





# Battery Management Accessories

## 50-Amp Coupler Grey

- 50A continuous current rating
- Polarised DC coupler
- Up to 16mm<sup>2</sup> cable
- Low-loss terminals
- 2 x required for connection



Order Stock Code:

**CON-03001** Grey (includes terminals) Bulk

**TER-23003** (S356) Terminal only each

**BSP-00201** Grey (includes terminals) Packaged each

## 50-Amp Coupler Red

- 50A continuous current rating
- Polarised DC coupler
- Up to 16mm<sup>2</sup> cable
- Low-loss terminals
- Each



Order Stock Code:

**CON-03002** Red (includes terminals) Bulk

**TER-23003** (S356) Terminal only each

**BSP-00202** Red (includes terminals) Packaged each

## 175-Amp Coupler Grey

- 175A continuous current rating
- Polarised DC coupler
- Up to 50mm<sup>2</sup> cable
- Low-loss terminals
- Each



Order Stock Code:

**CON-03101** (includes terminals) Bulk

**TER-23004** (S429) Terminal only each

**BSP-00301** (S345) (includes terminals) Packaged

## 50A and 175A Rubber Dirt Covers

- Protects couplers from dirt and corrosion



Order Stock Code:

**BSP-00302** (S368) 175Amp

**BSP-00203** (S367) 50Amp

## MTA Battery Terminals (3 x take-off lugs) Positive

- ISO positive terminal
- Suitable for ISO battery studs
- Tinned copper construction
- M8 & M6 threaded studs
- **Bulk - No nuts supplied**



Order Stock Code:

**CON-04001** Positive (Bulk)

**BSP-30001** Packaged

## 50A and 175A KST Rubber Dirt Covers

- Protects couplers from dirt and corrosion



Order Stock Code:

**BSP-00303** (S368) 175Amp

**BSP-00204** (S367) 50Amp

## MTA Battery Terminals (3 x take-off lugs) Negative

- ISO negative terminal
- Suitable for ISO battery studs
- Tinned copper construction
- M8 & M6 threaded studs
- **Bulk - No nuts supplied**



Order Stock Code:

**CON-04002** Negative (Bulk)

**BSP-30002** Packaged

## SAE Battery Terminals Positive

- Positive terminal
- Suitable for battery studs



Order Stock Code:

**CON-04003** Positive (Bulk)

**BSP-30101** Packaged

## Battery Clamps (used on clip-on lights)

Order Stock Code:

**CON-02001** (S1119) Black (Bulk)

**CON-02002** (S1118) Red (Bulk)

**BSP-30003** Packaged (Set)



## SAE Battery Terminals Negative

- Negative terminal
- Suitable for battery studs



Order Stock Code:

**CON-04004** Negative (Bulk)

**BSP-30102** Packaged



# Battery Management Accessories

## SAE Battery Terminal Set

- Negative terminal
- Positive terminal
- Suitable for battery studs
- M6 Cable clamp screws



Order Stock Code:

**BSP-30004** Packaged

## Cole Hersee Solenoid (12Vdc coil rating)

- 85 Amp DC continuous current rated
- 200 Amp DC continuous current rated
- Steel weatherproof casing
- Low-loss contacts



Order Stock Code:

**ELE-00003** 85Amp (24059)  
**ELE-00006** 200Amp (24143)

## Special Ripcord Cable (4mm<sup>2</sup>)

- 2-core multi-strand ripcord
- Red & Black colour-coded
- Ideal for accessory plugs



Order Stock Code:

Available per metre

Available per 100metre roll

**CAB-00532** 0.5mm<sup>2</sup> per metre  
**BSP-50532** 0.5mm<sup>2</sup> per 100 metre roll

**CAB-01532** 1.5mm<sup>2</sup> per metre  
**BSP-51532** 1.5mm<sup>2</sup> per 100 metre roll

**CAB-02532** 2.5mm<sup>2</sup> per metre  
**BSP-52532** 2.5mm<sup>2</sup> per 100 metre roll

**CAB-04032** 4.0mm<sup>2</sup> per metre  
**BSP-54032** 4.0mm<sup>2</sup> per 100 metre roll

## Battery Cable Double Insulated (50m rolls)

- 16mm<sup>2</sup> double insulated
- 50m bulk rolls



Order Stock Code:

**BSP-50116** Red

**BSP-50216** Black

## Battery Cable Double Insulated

- 16mm<sup>2</sup> double insulated
- Available per metre



Order Stock Code:

**CAB-16052** Red

**CAB-16050** Black

## Heavy-Duty Multi-Strand Copper Cable

- Available in 6mm<sup>2</sup> 16mm<sup>2</sup> 25mm<sup>2</sup> and 35mm<sup>2</sup>
- Available per meter



Order Stock Code:

**CAB-06012** 6 mm<sup>2</sup> Red  
**CAB-06010** 6 mm<sup>2</sup> Black  
**CAB-16012** 16mm<sup>2</sup> Red  
**CAB-16010** 16mm<sup>2</sup> Black  
**CAB-25012** 25mm<sup>2</sup> Red  
**CAB-25010** 25mm<sup>2</sup> Black  
**CAB-35012** 35mm<sup>2</sup> Red  
**CAB-35010** 35mm<sup>2</sup> Black

## Copper Crimp Lugs

- Tin-plated copper lugs
- Cable sizes from 4.0mm<sup>2</sup> to 35mm<sup>2</sup>



Order Stock Code:

**TER-20046** (S516) 4 x 6 Lug  
**TER-20048** (S517) 4 x 8 Lug  
**TER-20065** (S518) 6 x 5 Lug  
**TER-20165** (S519) 16x 5 Lug  
**TER-20166** (S521) 16x 6 Lug  
**TER-20168** (S522) 16x 8 Lug  
**TER-20161** (S523) 16x10 Lug  
**TER-20256** (S526) 25x 6 Lug  
**TER-20258** (S529) 25x 8 Lug  
**TER-20356** (S530) 35x 6 Lug  
**TER-20358** (S531) 35x 8 Lug



Indel Marine manufactures an extensive range of marine refrigerators and water heaters. To view the full range please visit - [www.indelwebastomarine.com](http://www.indelwebastomarine.com)

## isotherm

### CRUISE Marine Refrigerators

Classic					
	CRUISE 36	CRUISE 42, 49	CRUISE 65, 85, 90, 100	CRUISE 130, 165	CRUISE 195, 200, 219, 271
INOX*					
	CRUISE 36	CRUISE 42, 49	CRUISE 65, 85	CRUISE 130 DRINK	CRUISE 187, 190, 195, 200

### CRUISE Marine Freezers

Classic			
	CRUISE 63 F	CRUISE 65 F	CRUISE 90 F
INOX*			
	CRUISE 63 F	CRUISE 65 F	CRUISE 90 F

### DRAWER Marine Refrigerators & Freezers

INOX*							
	DRAWER 49	DRAWER 55 frost-free	DRAWER 65	DRAWER 65 frost-free	DRAWER 105	DRAWER 160 frost-free	DRAWER 190
GLASS							
	DRAWER 49 GLASS	DRAWER 55 GLASS	DRAWER 65 GLASS	DRAWER 65 GLASS frost-free			

\*INOX = stainless steel

## Ice Makers



IceDrink Clear

## Built-In Boxes



29



40



41



53



55



75



92

## Cooling Units

Compact



Air-cooled



Water-cooled 5P



Water-cooled  
Magnum

ASU



Air-cooled



Water-cooled 5P



Water-cooled  
Magnum

## Wine Cellars



Wine Cellar Divino 23



Wine Cellar Divino 35

## Water Heaters



Basic



Slim



Square

## On Board Safes



Safe 10



Safe 30







[www.indelb.com](http://www.indelb.com)



[www.nationalluna.com](http://www.nationalluna.com)



[www.indelwebastomarine.com](http://www.indelwebastomarine.com)

## Issue 9 - February - 2017

**This Product Selector Guide relates to Price List (Issue 9)**



**National Luna sales and support:**

Tel : +27 (0)11 452-5438

Fax :+27 (0)11 452-5263

[info@nationalluna.com](mailto:info@nationalluna.com)

[sales@nationalluna.com](mailto:sales@nationalluna.com)

**CONTACT** | +27 (0)11 452-5438 (tel) | +27 (0)11 452-5263 (fax) | [info@nationalluna.com](mailto:info@nationalluna.com) | [www.nationalluna.com](http://www.nationalluna.com)

**STREET ADDRESS** | 34 Plantation Road | Eastleigh, Edenvale | 1609 Johannesburg | South Africa

**POSTAL ADDRESS** | PO Box 8899 | Edenglen 1613 | Johannesburg | South Africa

Due to ongoing product development and design, some catalogue images may differ from the actual product.  
National Luna reserves the right to change any information contained in this document without prior notice.

**National Luna will not be held responsible for errors or omissions in this document.**